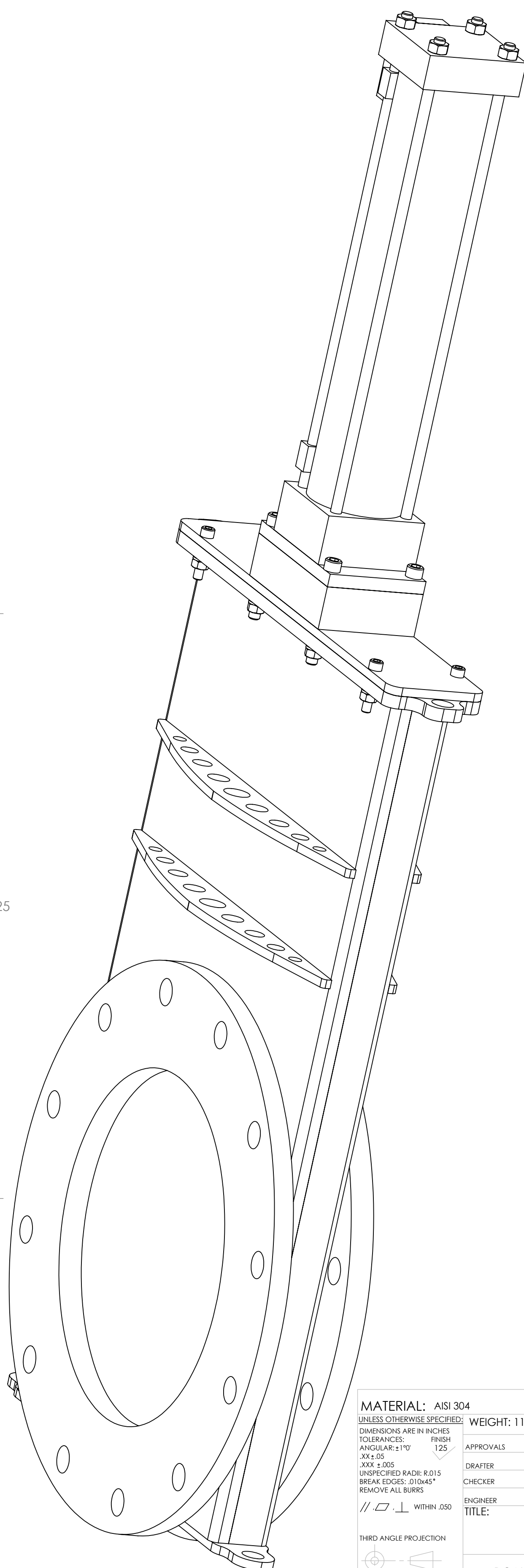
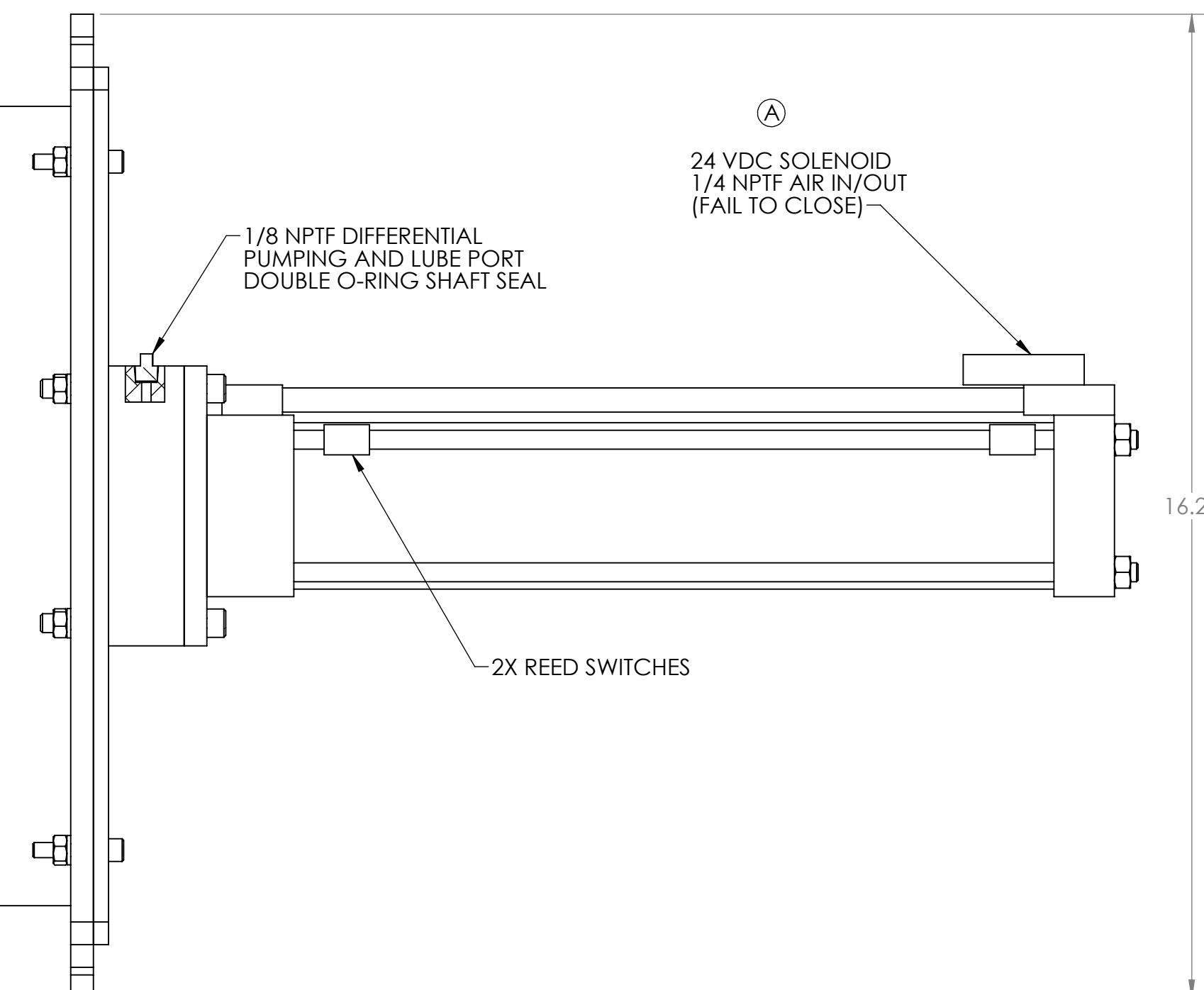
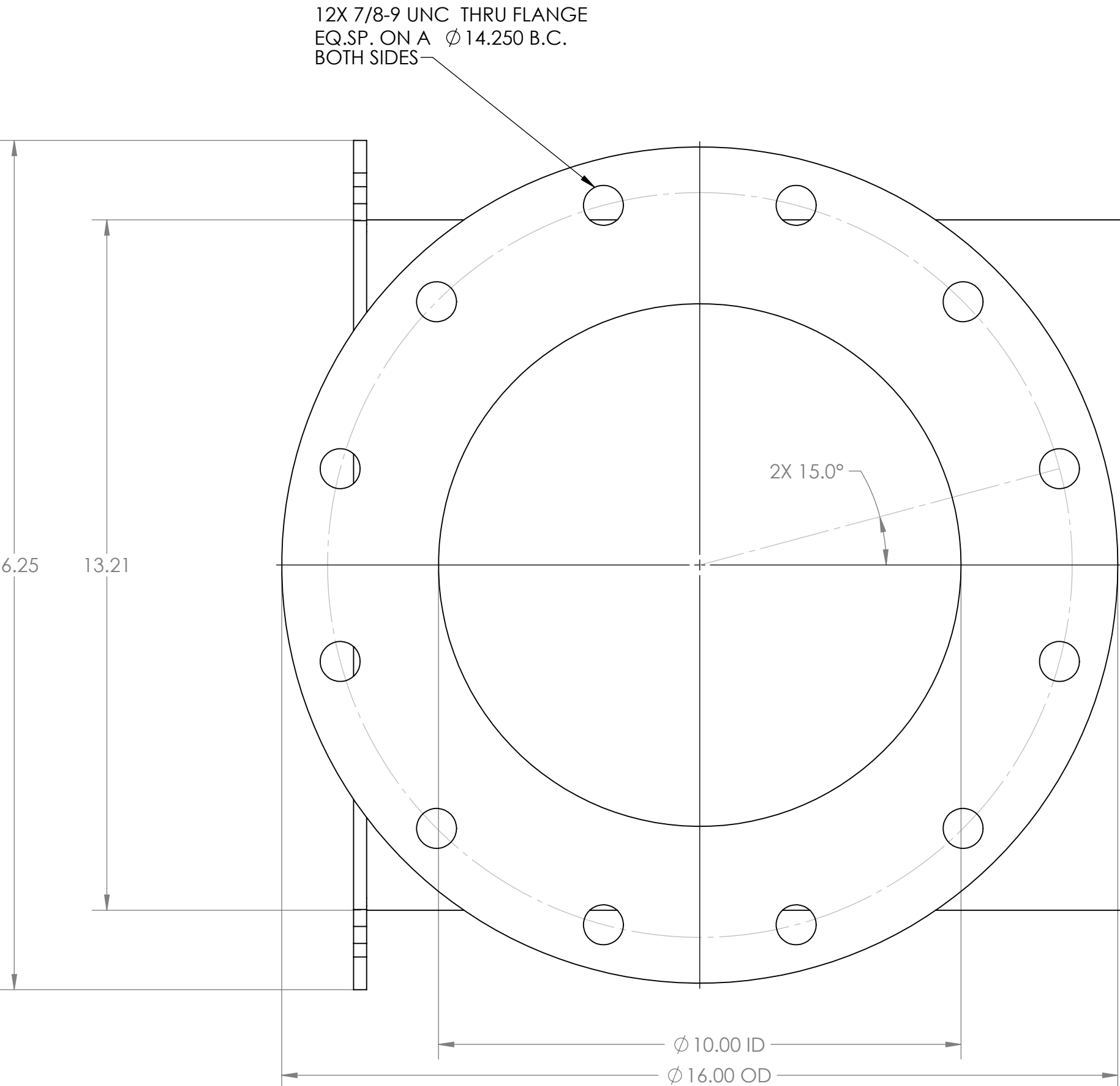
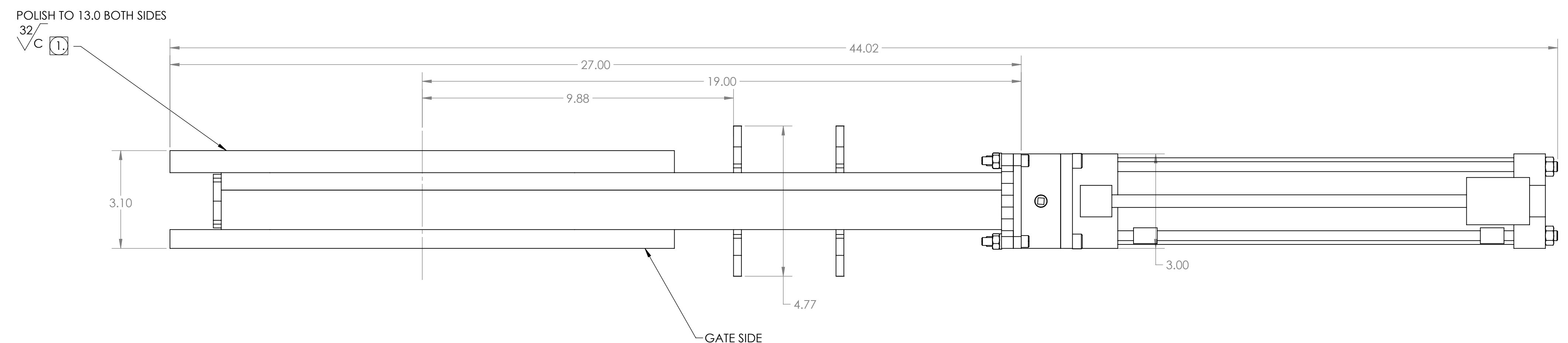


PROPRIETARY AND CONFIDENTIAL  
 THIS DRAWING IS THE PROPERTY OF  
 GNB CORPORATION. ANY REPRODUCTION  
 OR DISTRIBUTION OF THIS DRAWING  
 WITHOUT THE WRITTEN PERMISSION OF  
 GNB CORPORATION IS PROHIBITED.

| REVISIONS |                  |           |          |
|-----------|------------------|-----------|----------|
| REV.      | DESCRIPTION      | DATE      | APPROVED |
| A         | UPDATED SOLENOID | 7/23/2012 | VR       |



- NOTES:
- VACUUM SEAL SURFACE
  - FINISH: BEAD BLAST INSIDE & OUT
  - PROTECT ALL SURFACES FROM SCRATCHES, GAUGES & TOOLING MARKS DURING HANDLING.
  - GATE O-RING ON GATE

MATERIAL: AISI 304  
 UNLESS OTHERWISE SPECIFIED: WEIGHT: 113.00 #  
 DIMENSIONS ARE IN INCHES: FINISH: 125  
 TOLERANCES: ANGULAR: ±1°  
 XXX ±.005 UNSPECIFIED RADII: R.015  
 BREAK EDGES: .010x45° REMOVE ALL BURRS  
 // ▽ ⊥ WITHIN .050

| APPROVALS    | DATE    |
|--------------|---------|
| DRAFTER: VR  | 7/18/12 |
| CHECKER: ER  | 7/23/12 |
| ENGINEER: VR | 7/18/12 |

GNB CORPORATION  
 SCIENTIFIC AND INDUSTRIAL EQUIPMENT  
 3200 DWIGHT RD. SUITE #100  
 ELK GROVE, CA 95758  
 916-395-3003 FAX: 916-395-3363  
 www.gnbvalves.com

TITLE: OUTLINE DWG  
 G10PSOP

DO NOT SCALE DRAWING  
 DWG. NO. 115117-00  
 SCALE: 1:2.25 | SHEET 1 OF 1

REV A