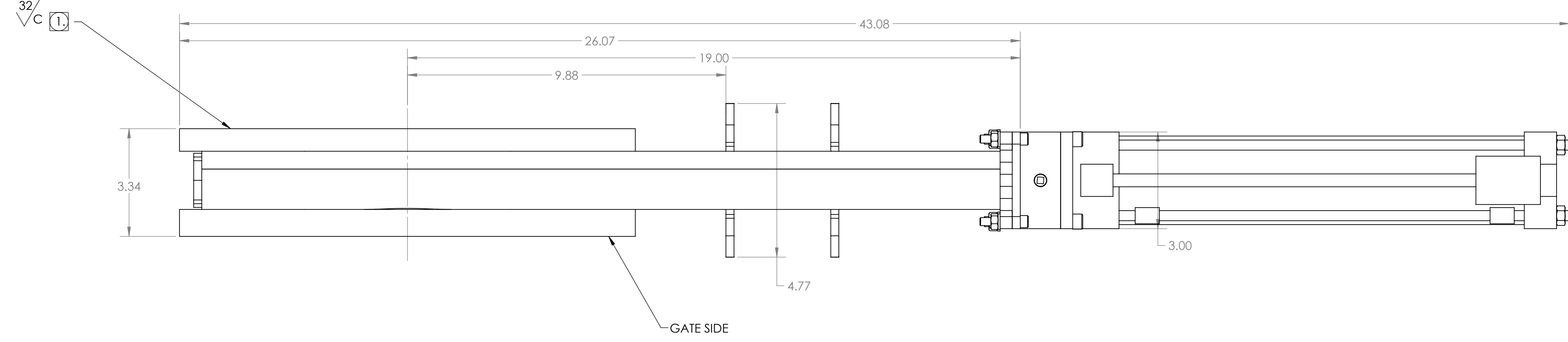


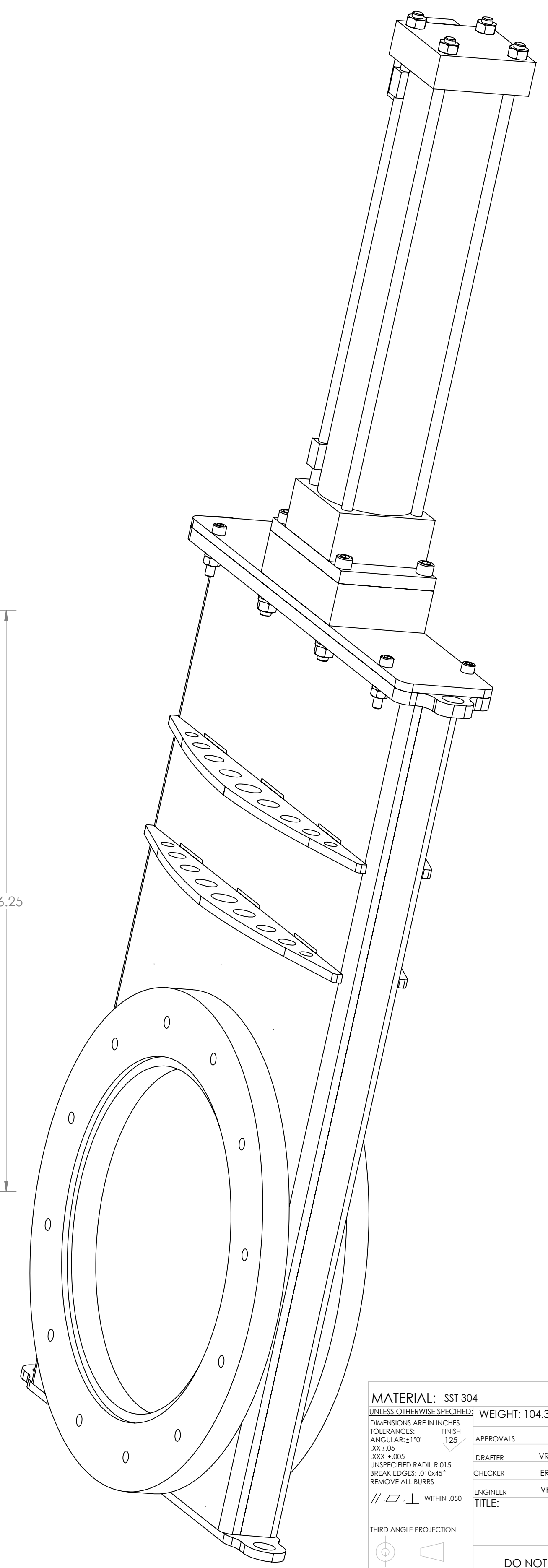
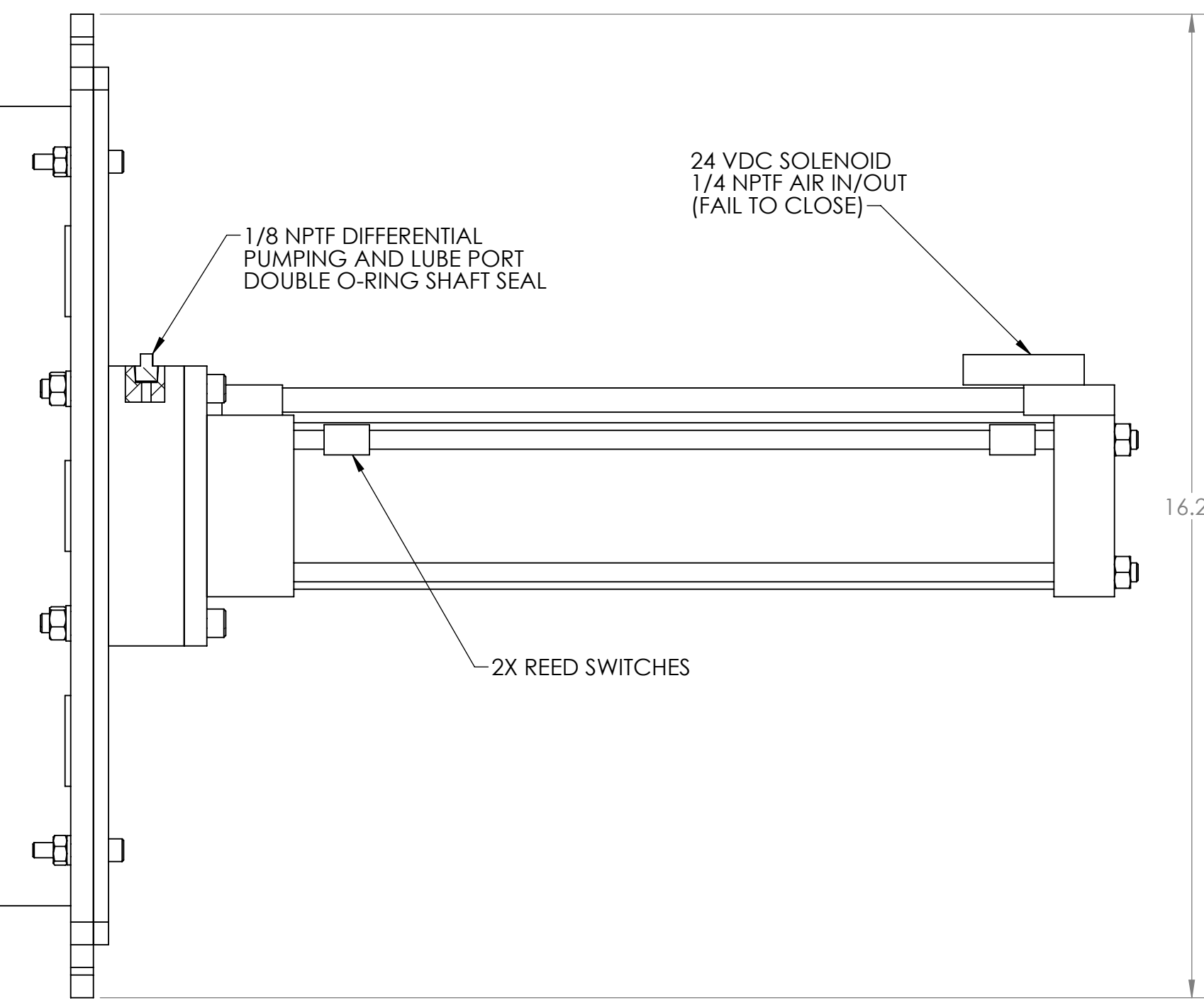
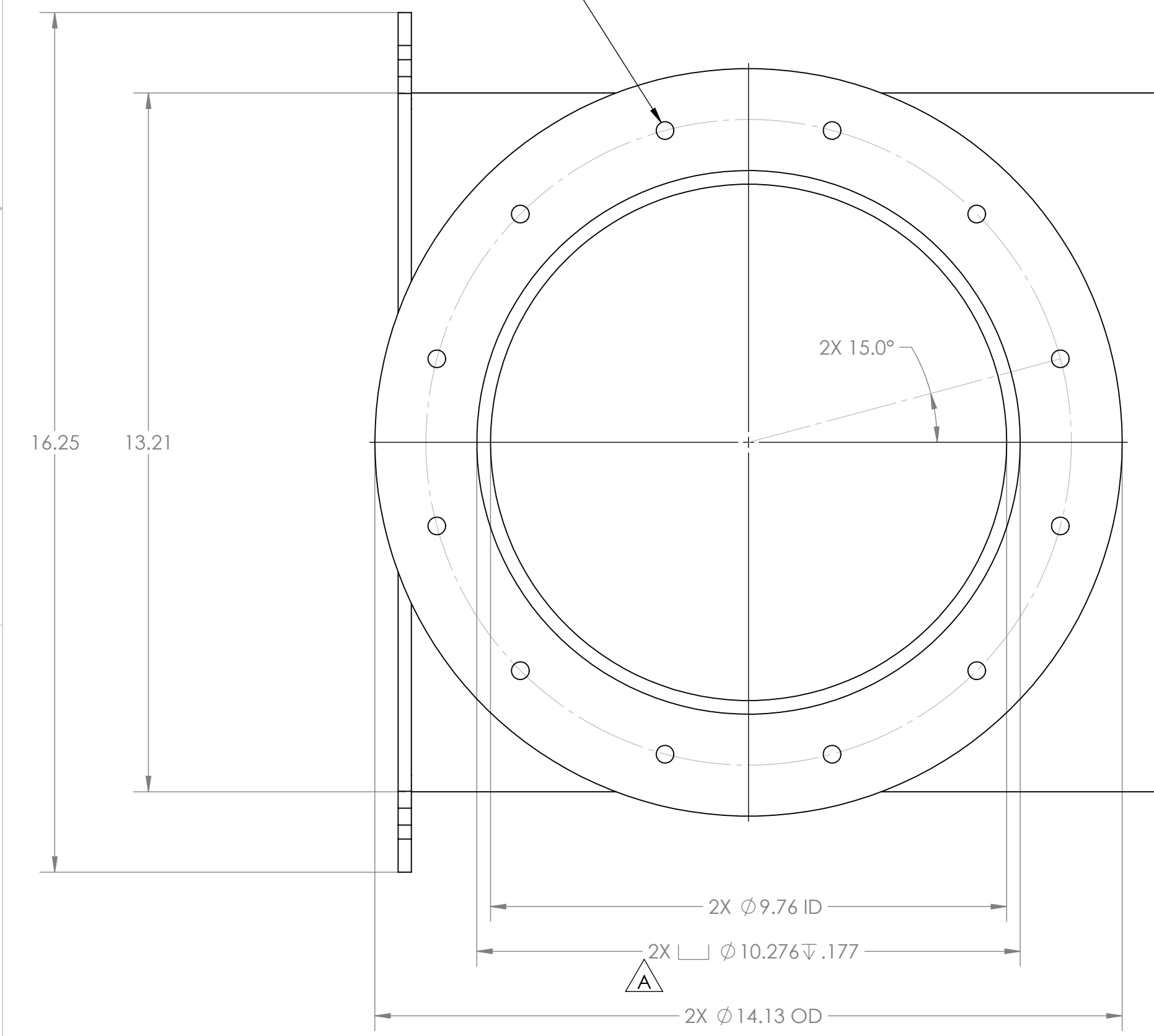
PROPRIETARY AND CONFIDENTIAL
 THIS DRAWING IS THE PROPERTY OF
 GNB CORPORATION. ANY REPRODUCTION
 OR TRANSMISSION OF THIS DRAWING
 WITHOUT THE WRITTEN PERMISSION OF
 GNB CORPORATION IS PROHIBITED.

REVISIONS			
REV.	DESCRIPTION	DATE	APPROVED
A	UPDATED FLANGE	10/19/2012	VR

POLISH TO BOLT PATTERN BOTH SIDES



12X M10X1.5 - 6H Ψ .70
 EQ.SP. ON A Φ 12.205 B.C.
 BOTH SIDES



- NOTES:
- VACUUM SEAL SURFACE
 - FINISH: BEAD BLAST INSIDE & OUT
 - PROTECT ALL SURFACES FROM SCRATCHES, GAUGES & TOOLING MARKS DURING HANDLING.
 - GATE O-RING ON GATE

MATERIAL: SST 304
 UNLESS OTHERWISE SPECIFIED: WEIGHT: 104.37 #
 DIMENSIONS ARE IN INCHES: FINISH: 125
 TOLERANCES: ANGULAR: $\pm 1^{\circ}$ FINISH: 125
 XXX $\pm .005$ UNFINISHED RADII: R.015
 BREAK EDGES: $\phi 10 \times 45^{\circ}$
 REMOVE ALL BURRS
 WITHIN .050

APPROVALS	DATE
DRAFTER: VR	9/26/12
CHECKER: ER	9/26/12
ENGINEER: VR	9/26/12

GNB CORPORATION
 SCIENTIFIC AND INDUSTRIAL EQUIPMENT
 3200 DWIGHT RD. SUITE #100
 ELK GROVE, CA 95758
 916-395-3003 FAX: 916-395-3363
 www.gnbvalves.com

TITLE: OUTLINE DWG
 G(ISO250)PSOP

DO NOT SCALE DRAWING D DWG. NO. 115117-02 SCALE: 1:2.25 | SHEET 1 OF 1 REV A