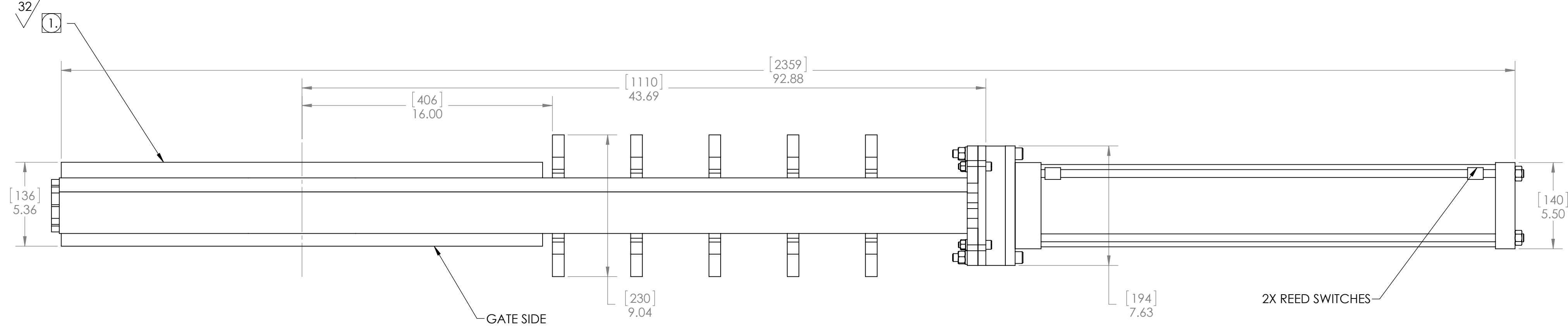


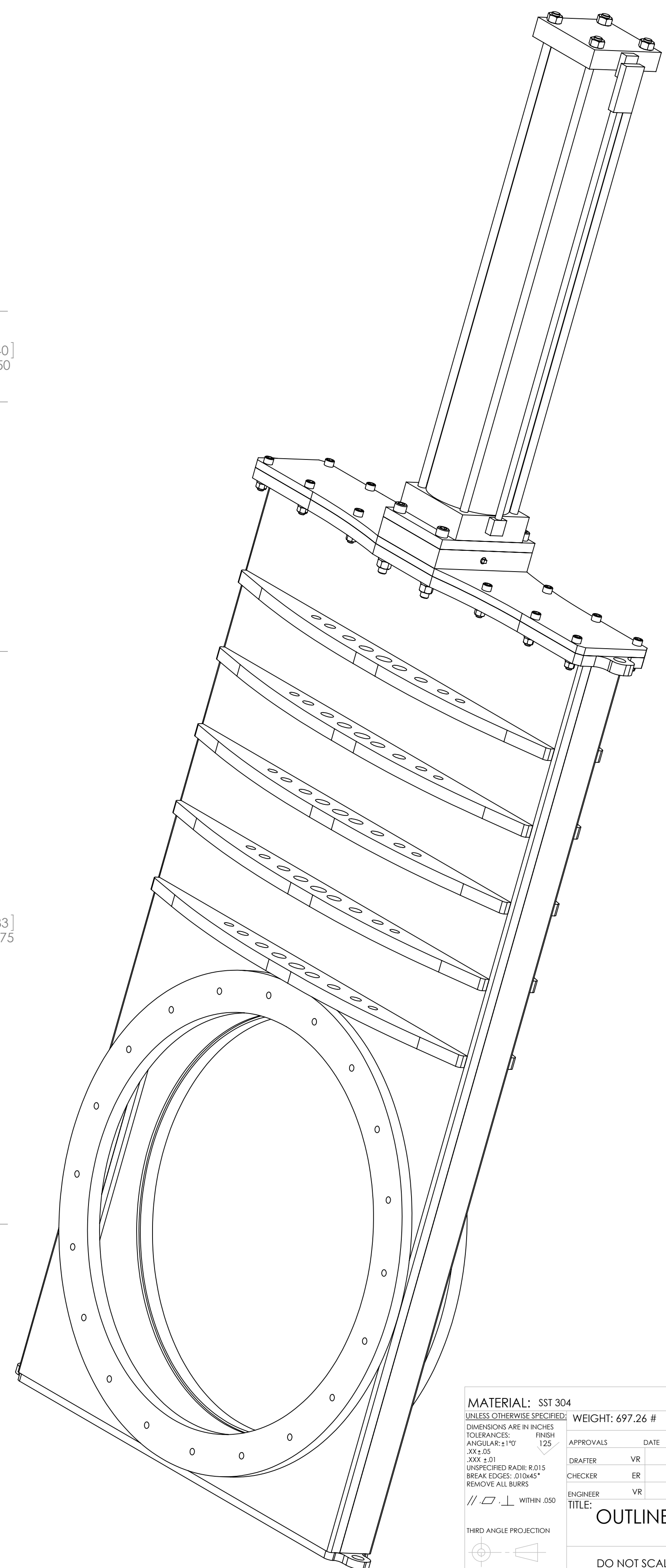
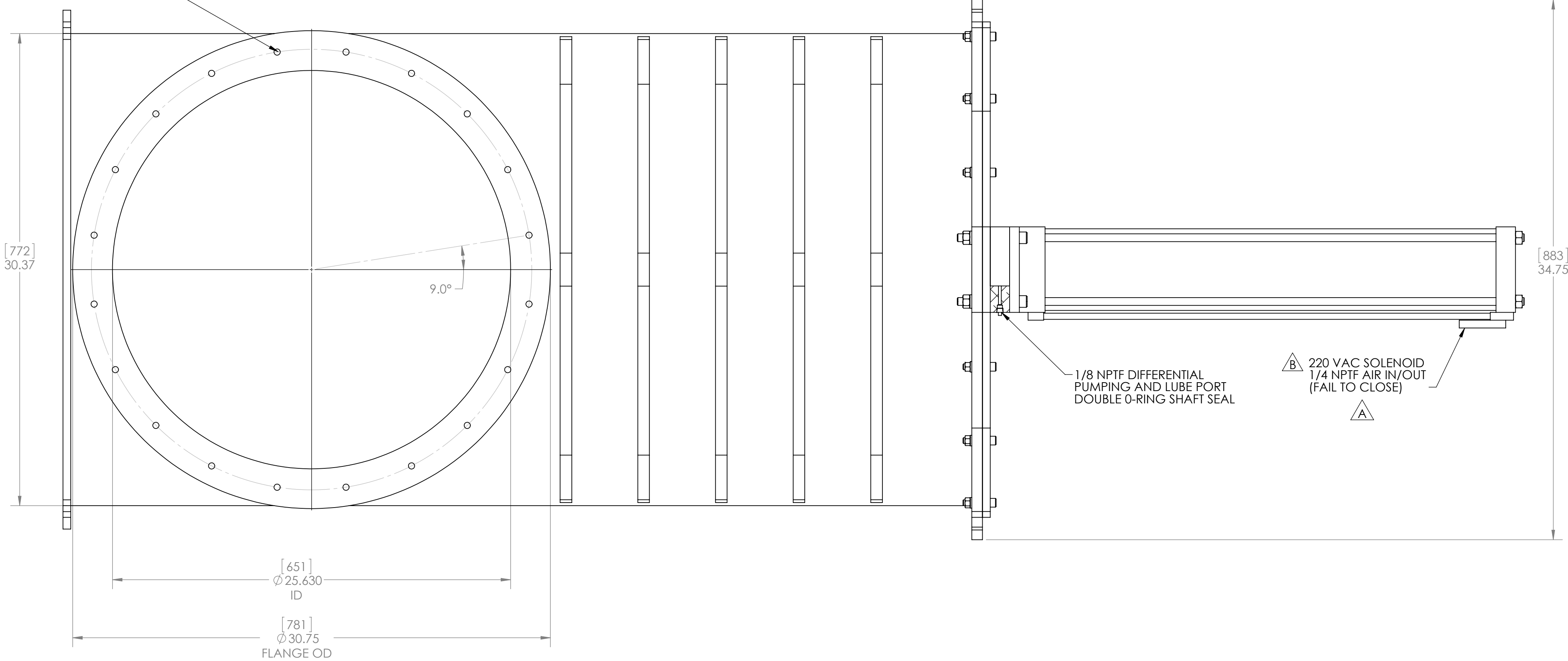
PROPRIETARY AND CONFIDENTIAL
 THIS DRAWING IS THE PROPERTY OF
 GNB CORPORATION. ANY REPRODUCTION
 OR DISSEMINATION OF THIS DRAWING
 WITHOUT THE WRITTEN PERMISSION OF
 GNB CORPORATION IS PROHIBITED.

REVISIONS			
REV.	DESCRIPTION	DATE	APPROVED
A	UPDATED SOLENOID TYPE	11/13/2012	VR
B	CUSTOMER CHANGE TO 220V	11/22/2012	CL

POLISH TO BOLT PATTERN BOTH SIDES



20X M12X1.75 - 6H ∇ .75
 EQ.SP. ON A \varnothing 28.346 B.C.
 BOTH SIDES



NOTES:

- 1. VACUUM SEAL SURFACE
- 2. FINISH: BEAD BLAST INSIDE & OUT
- 3. PROTECT ALL SURFACES FROM SCRATCHES, GOUGES & TOOLING MARKS DURING HANDLING.

MATERIAL: SST 304
 UNLESS OTHERWISE SPECIFIED:
 DIMENSIONS ARE IN INCHES
 TOLERANCES: FINISH 1/25
 ANGULAR: ±1°
 XXX ±.01
 UNSPECIFIED RADII: R.015
 BREAK EDGES: .010x45°
 REMOVE ALL BURRS
 // \square \perp WITHIN .050

THIRD ANGLE PROJECTION

APPROVALS	DATE
DRAFTER VR	2/27/12
CHECKER ER	2/27/12
ENGINEER VR	2/27/12

GNB CORPORATION
 SCIENTIFIC AND INDUSTRIAL EQUIPMENT
 3200 DWIGHT RD. SUITE #100
 ELK GROVE, CA 95758
 916-395-3003 FAX: 916-395-3363
 www.gnbvalves.com

TITLE: **OUTLINE DWG, G(ISO 630) PSOP**

DO NOT SCALE DRAWING	D	DWG. NO. 115181-01	REV B
		SCALE: 1:1.475 SHEET 1 OF 1	