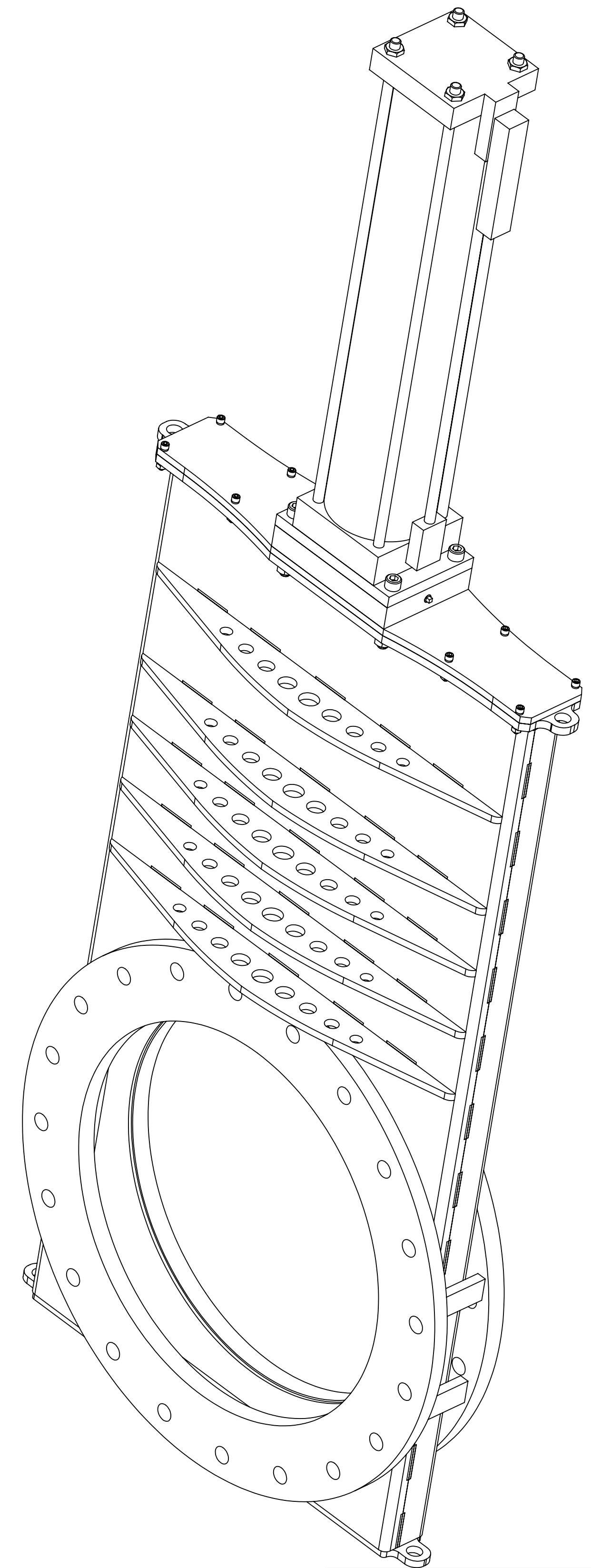
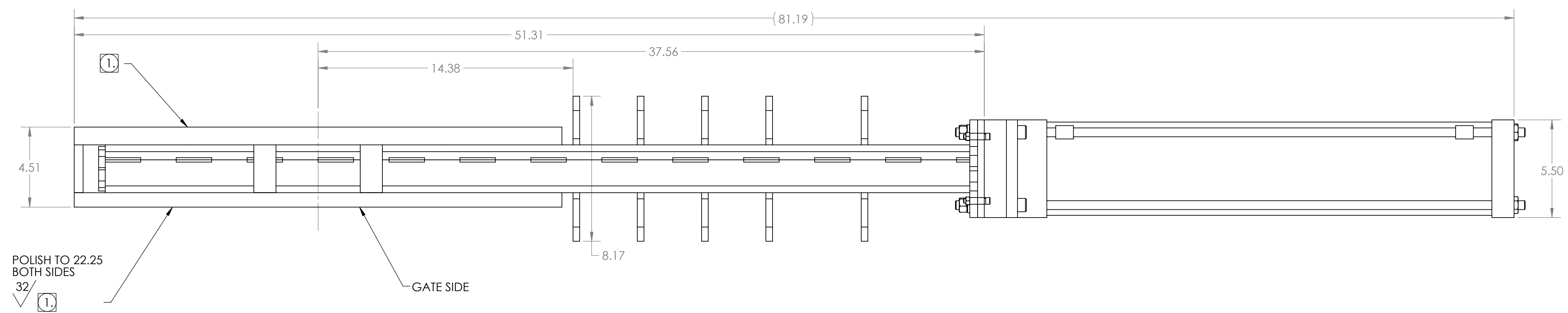
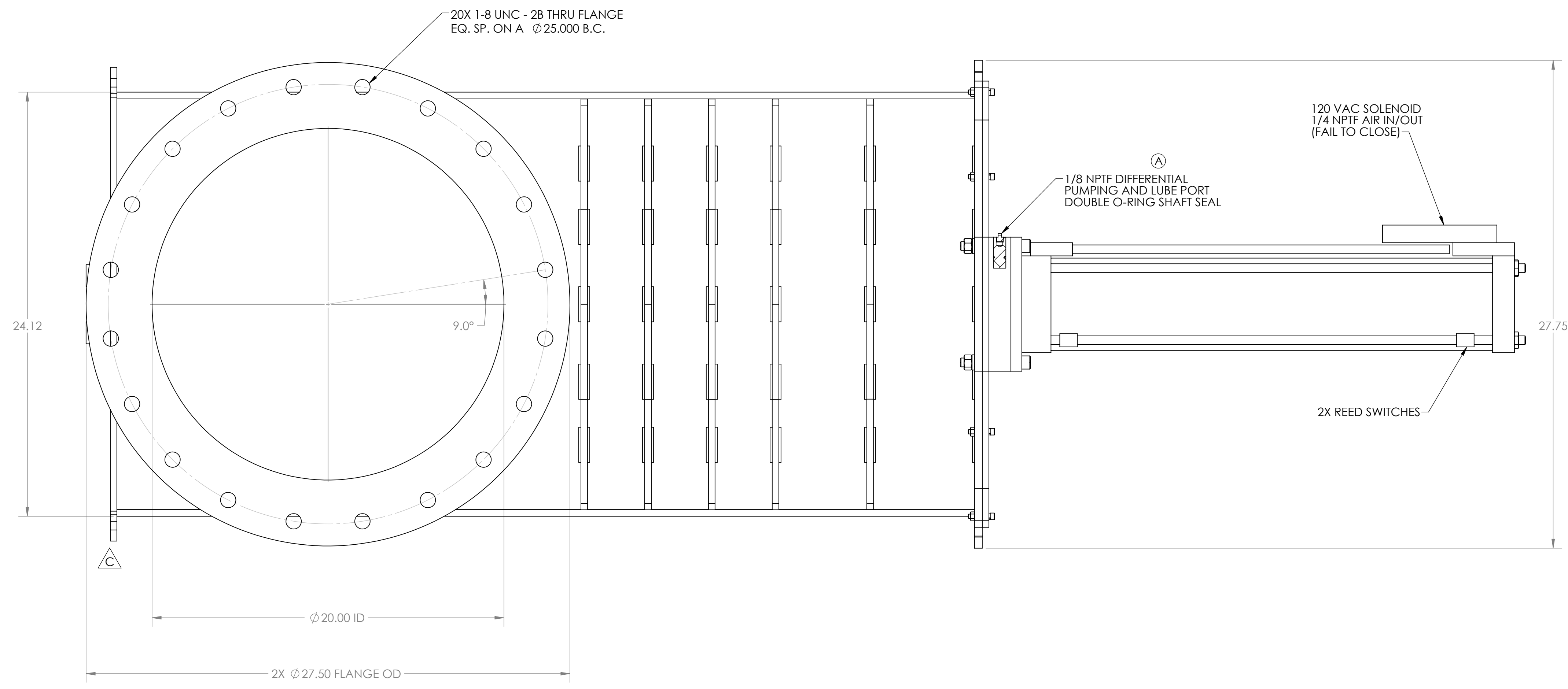


PROPRIETARY AND CONFIDENTIAL
 THIS DRAWING IS THE PROPERTY OF
 GNB CORPORATION. ANY REPRODUCTION
 OR USE OF THIS DRAWING WITHOUT THE
 WRITTEN PERMISSION OF
 GNB CORPORATION IS PROHIBITED.

REVISIONS			
REV.	DESCRIPTION	DATE	APPROVED
A	ADDED DIFF. PORT VIEW	8/8/2011	VR
B	UPDATED ACTUATOR DIMS.	9/11/2011	VR
C	UPDATED BODY WELDMENT	10/19/2012	VR



- NOTES:
- VACUUM SEAL SURFACE
 - FINISH: BEAD BLAST INSIDE & OUT
 - PROTECT ALL SURFACES FROM SCRATCHES, GOUGES & TOOLING MARKS DURING HANDLING.

MATERIAL: AISI 304
 UNLESS OTHERWISE SPECIFIED: WEIGHT: 494.78 #
 DIMENSIONS ARE IN INCHES

TOLERANCES: FINISH
 ANGULAR: ±1° 125
 AXIAL: .06
 XXX ±.01
 UNSPECIFIED RADII: R.015
 BREAK EDGES: .010x45°
 REMOVE ALL BURRS

APPROVALS DATE
 DRAFTER VR 7/14/11
 CHECKER ER 7/14/11
 ENGINEER VR 7/14/11

TITLE: OUTLINE DWG, G20PSOP

DO NOT SCALE DRAWING

DWG. NO. 115373-01
 SCALE: 1:4 SHEET 1 OF 1

REV C

GNB CORPORATION
 SCIENTIFIC AND INDUSTRIAL EQUIPMENT
 3200 DWIGHT RD. SUITE #100
 ELK GROVE, CA 95758
 916-395-3003 FAX: 916-395-3363
 www.gnbvalves.com