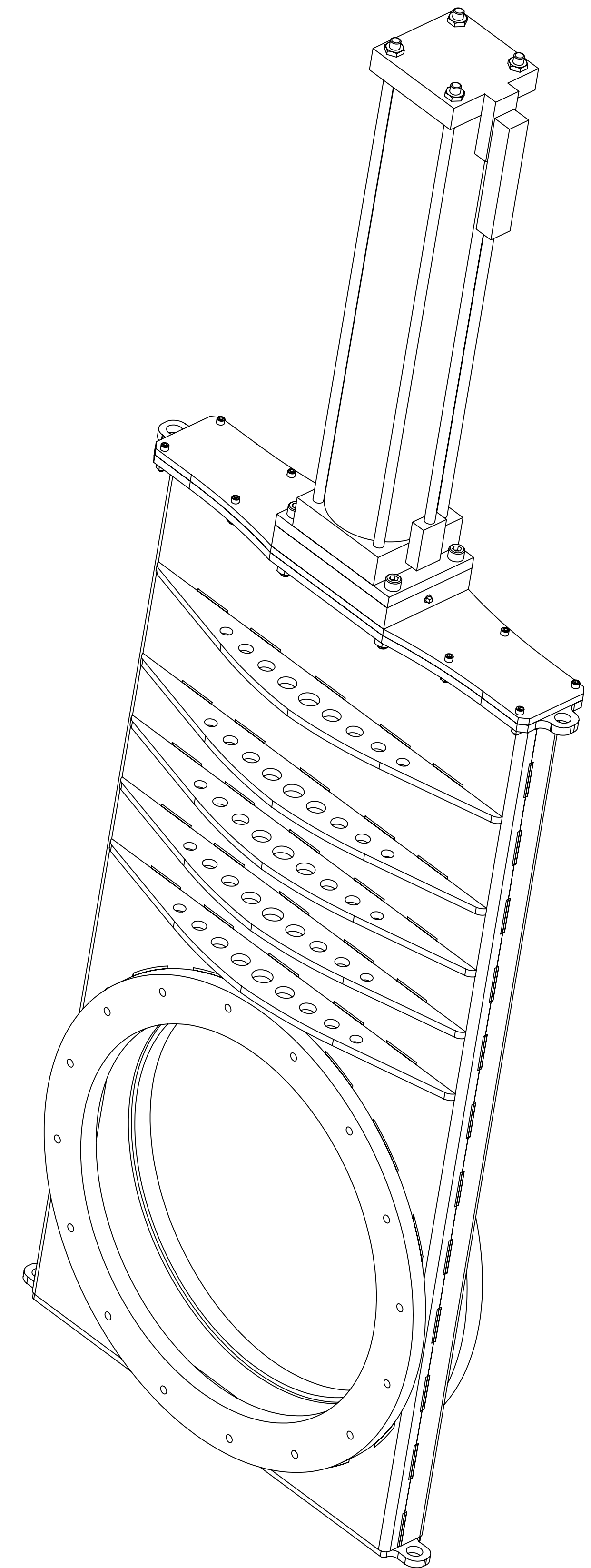
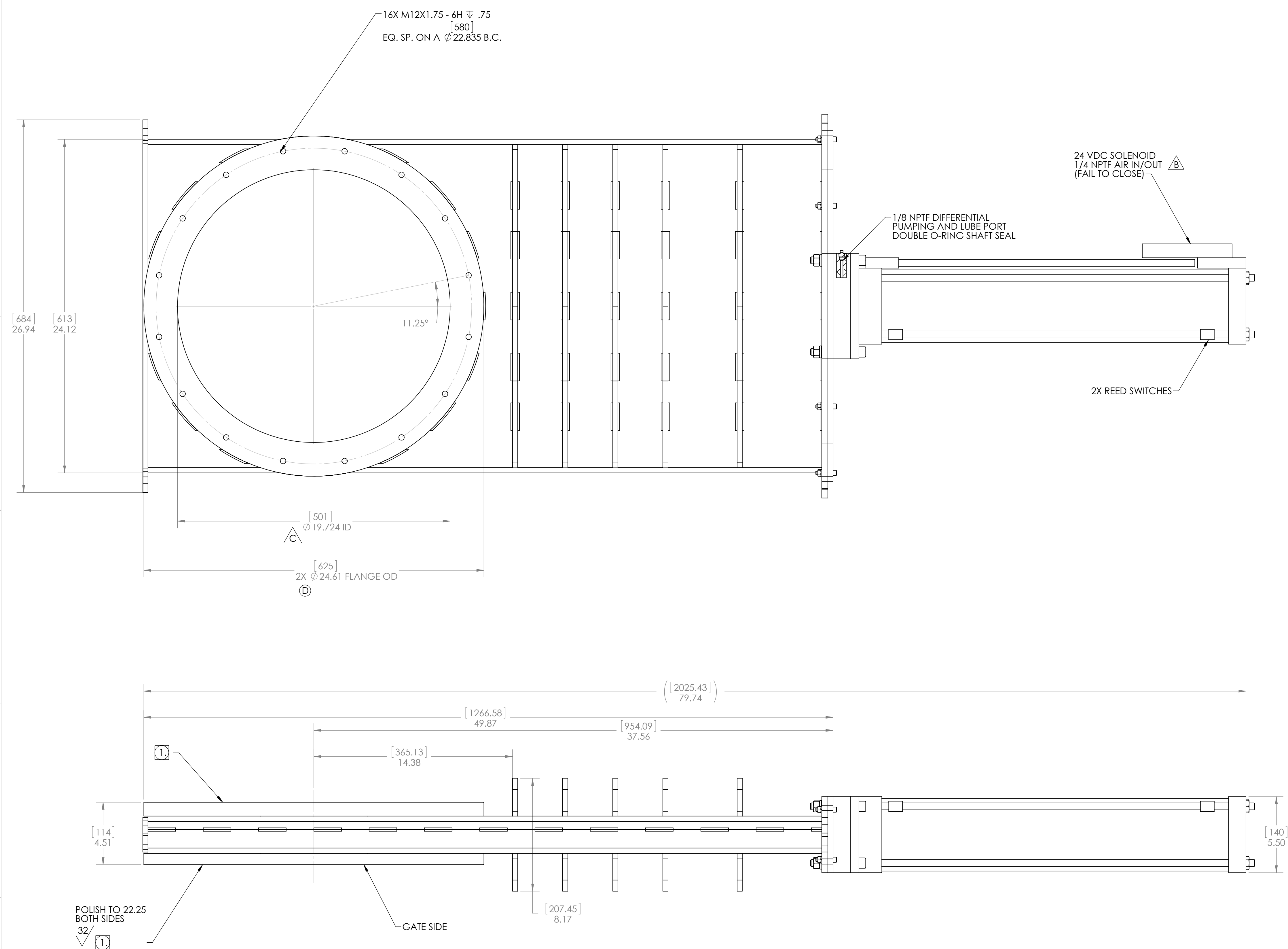


PROPRIETARY AND CONFIDENTIAL
 THIS DRAWING IS THE PROPERTY OF
 GNB CORPORATION. ANY REPRODUCTION
 OR DISSEMINATION OF THIS DRAWING
 WITHOUT THE WRITTEN PERMISSION OF
 GNB CORPORATION IS PROHIBITED.

REVISIONS			
REV.	DESCRIPTION	DATE	APPROVED
A	UPDATED BODY DESIGN	2/27/2012	VR
B	UPDATED SOLENOID	10/12/2012	VR
C	UPDATED FLANGE ID	10/19/2012	VR
D	UPDATED FLANGE OD	12/16/2013	VR



- NOTES:
- 1. VACUUM SEAL SURFACE
 - 2. FINISH: BEAD BLAST INSIDE & OUT
 - 3. PROTECT ALL SURFACES FROM SCRATCHES, GOUGES & TOOLING MARKS DURING HANDLING.

MATERIAL: AISI 304
 UNLESS OTHERWISE SPECIFIED: WEIGHT: 443.70 #
 DIMENSIONS ARE IN INCHES: FINISH: 125
 TOLERANCES: ANGULAR: ±1°
 XXX ±.01 UNSPECIFIED RADII: R.015
 BREAK EDGES: .010x45°
 REMOVE ALL BURRS
 WITHIN .050

APPROVALS: DATE: 11/4/11
 DRAFTER: VR
 CHECKER: ER
 ENGINEER: VR

GNB CORPORATION
 SCIENTIFIC AND INDUSTRIAL EQUIPMENT
 3200 DWIGHT RD. SUITE #100
 ELK GROVE, CA 95758
 916-395-3003 FAX: 916-395-3363
 www.gnbvalves.com

TITLE: OUTLINE DWG, G (ISO 500) PSOP

DO NOT SCALE DRAWING

DWG. NO. 115373-02
 SCALE: 1:4 SHEET 1 OF 1

REV D