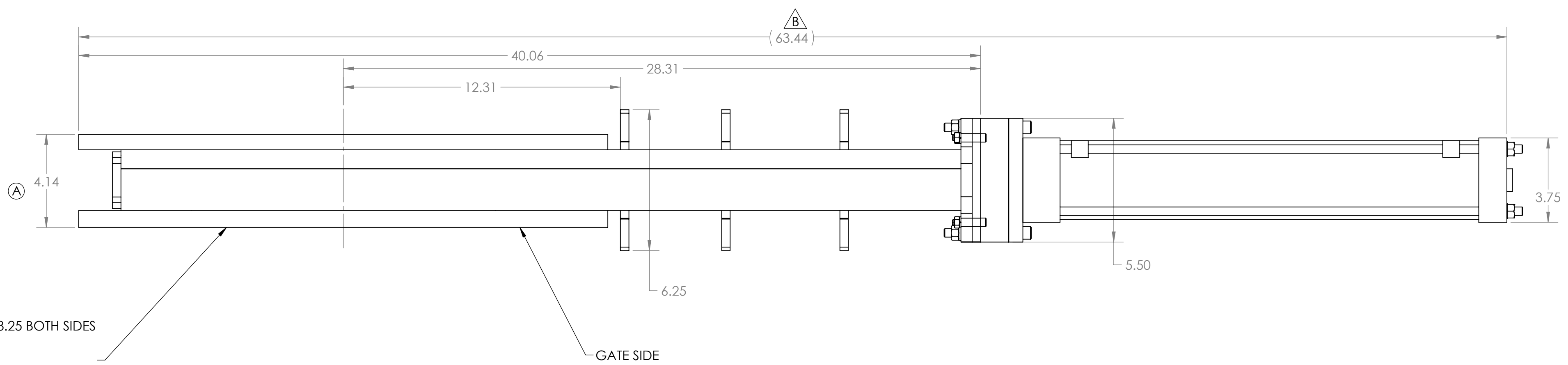
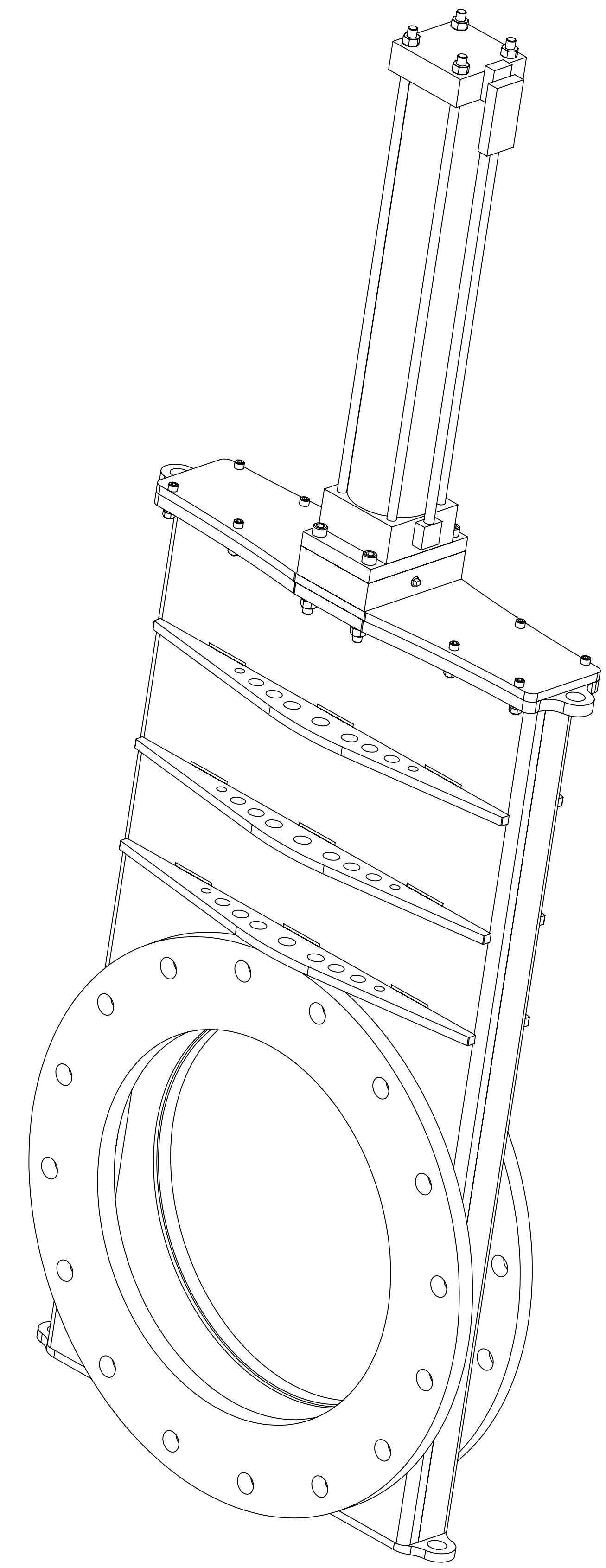
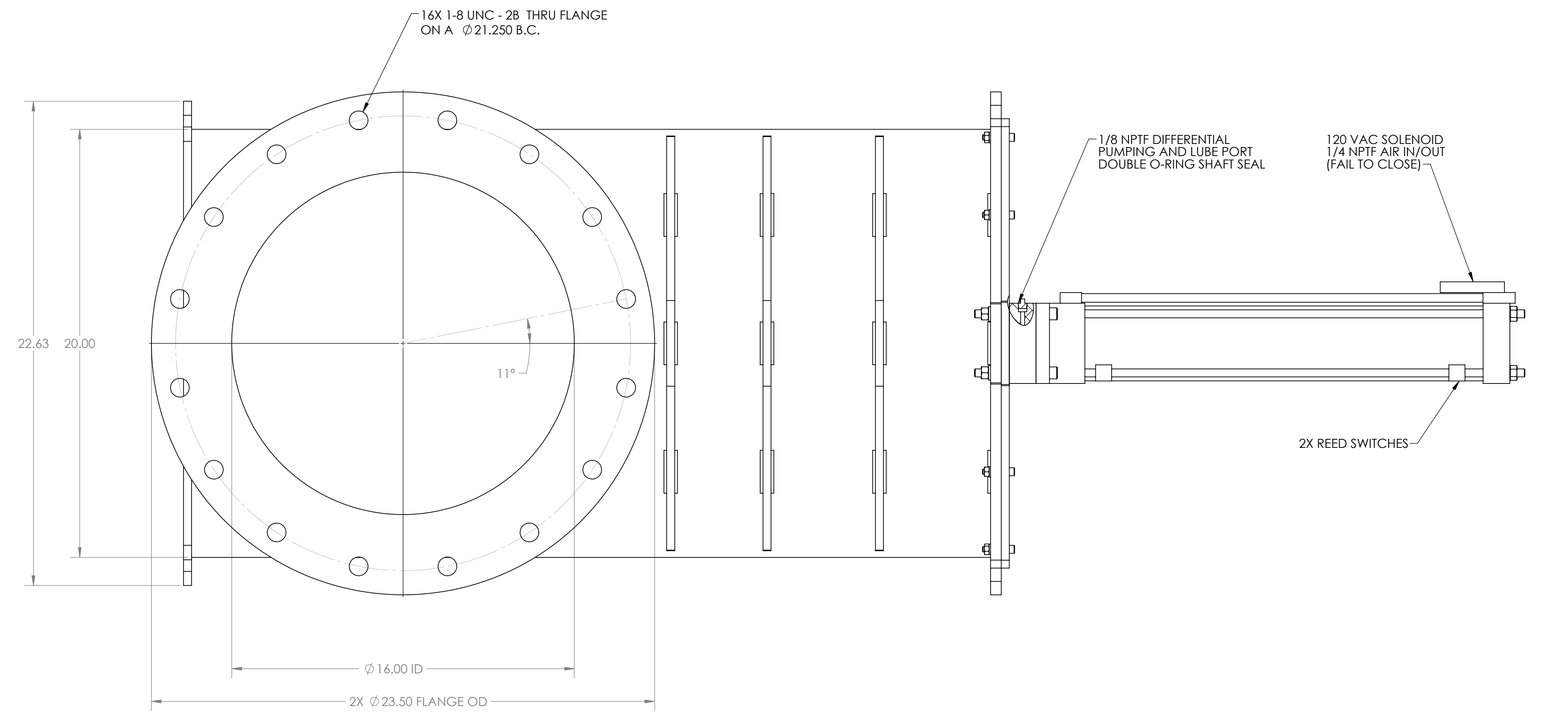


PROPRIETARY AND CONFIDENTIAL
 THIS DRAWING IS THE PROPERTY OF
 GNB CORPORATION. ANY REPRODUCTION
 OR USE OF THIS DRAWING WITHOUT THE
 WRITTEN PERMISSION OF
 GNB CORPORATION IS PROHIBITED.

REVISIONS			
REV	DESCRIPTION	DATE	APPROVED
A	CHANGE TO 4.14	6/13/2012	VR
B	UPDATED AIR CYLINDER	10/26/2012	VR



- NOTES:
- VACUUM SEAL SURFACE
 - FINISH: BEAD BLAST INSIDE & OUT
 - PROTECT ALL SURFACES FROM SCRATCHES, GAUGES & TOOLING MARKS DURING HANDLING.
 - GATE O-RING ON GATE

MATERIAL: 304 SST
 UNLESS OTHERWISE SPECIFIED: WEIGHT: 299.06 #
 DIMENSIONS ARE IN INCHES: FINISH: 125
 TOLERANCES: ANGULAR: ±1°
 XXX ±.005
 UNSPECIFIED RADII: R.015
 BREAK EDGES: .010x45°
 REMOVE ALL BURRS
 WITHIN .050

APPROVALS: DATE: 12/8/11
 DRAFTER: VR
 CHECKER: ER
 ENGINEER: VR

GNB CORPORATION
 SCIENTIFIC AND INDUSTRIAL EQUIPMENT
 3200 DWIGHT RD. SUITE #100
 ELK GROVE, CA 95758
 916-395-3003 FAX: 916-395-3363
 www.gnbvalves.com

TITLE: **OUTLINE DWG, G16PSOP**

DO NOT SCALE DRAWING
 DWG. NO. 116208-02
 SCALE: 1:3.5 SHEET 1 OF 1

REV B