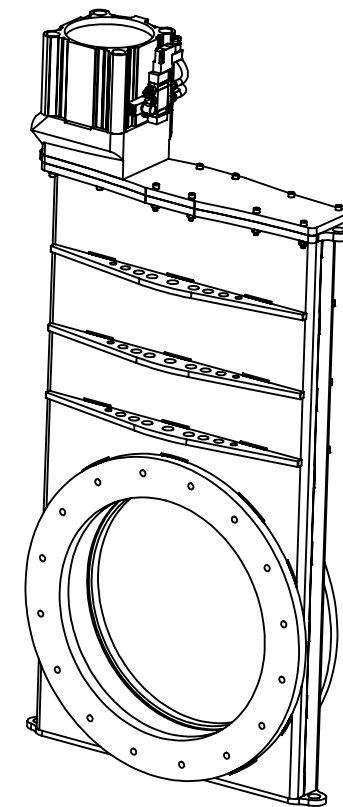
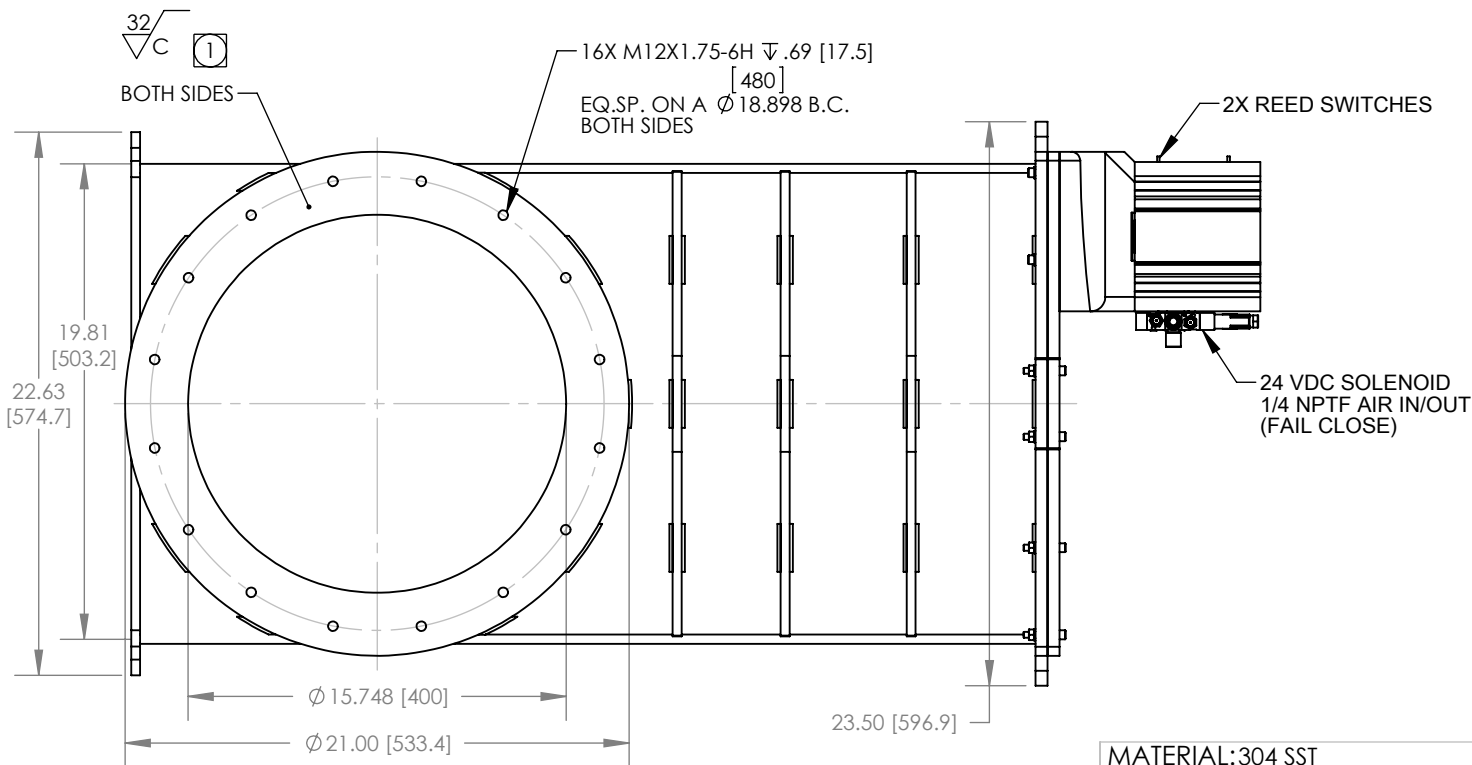
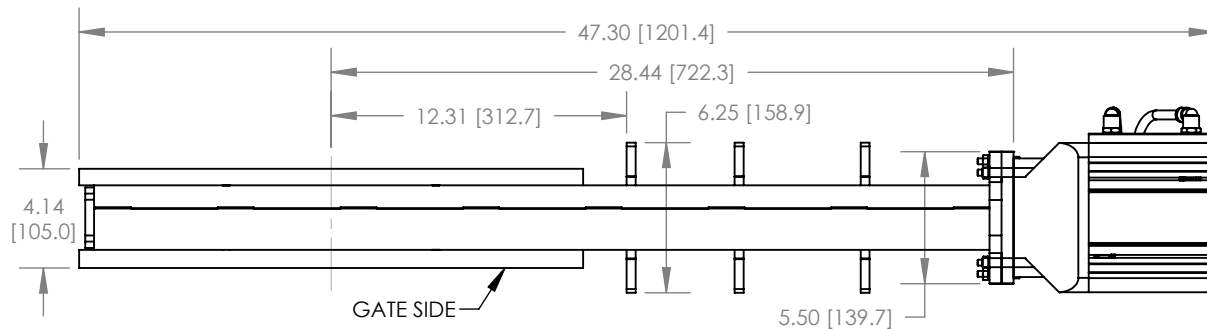


PROPRIETARY AND CONFIDENTIAL
 THE INFORMATION CONTAINED IN THIS
 DRAWING IS THE SOLE PROPERTY OF
 GNB CORPORATION. ANY
 REPRODUCTION IN PART OR AS A WHOLE
 WITHOUT THE WRITTEN PERMISSION OF
 GNB CORPORATION IS PROHIBITED.

REVISIONS			
REV.	DESCRIPTION	DATE	APPROVED



SCALE 1 : 12

NOTES:

- 1 VACUUM SEAL SURFACE
2. FINISH: BEAD-BLAST INSIDE & OUTSIDE
3. PROTECT ALL SURFACES FROM SCRATCHES, GOUGES & TOOLING MARKS DURING HANDLING.
4. VITON O-RINGS, GATE O-RING ON GATE

MATERIAL: 304 SST

UNLESS OTHERWISE SPECIFIED:

WEIGHT: 261.92 #

DIMENSIONS ARE IN INCHES
 TOLERANCES: FINISH 125
 ANGULAR: $\pm 1^{\circ}$
 .XX $\pm .06$
 .XXX $\pm .005$
 UNSPECIFIED FILLETS: R.015
 BREAK EDGES .010 x 45°
 REMOVE ALL BURRS

// \square \perp WITHIN .05

THIRD ANGLE PROJECTION



APPROVALS

	NAME	DATE
DRAFTER	CL	08-27-14
CHECKER	VR	09-01-14
ENGINEER	CL	08-27-14

DO NOT SCALE DRAWING

GNB CORPORATION
 SCIENTIFIC AND INDUSTRIAL EQUIPMENT

3200 DWIGHT RD. SUITE 100
 ELK GROVE, CA 95758
 916-395-3003 FAX: 916-395-3363
 WWW.GNBVALVES.COM

TITLE:
 OUTLINE DWG
 K(ISO400)PSBP

DWG. NO.
A 116208-17

SCALE: 1:8

SHEET 1 OF 1

REV
 -