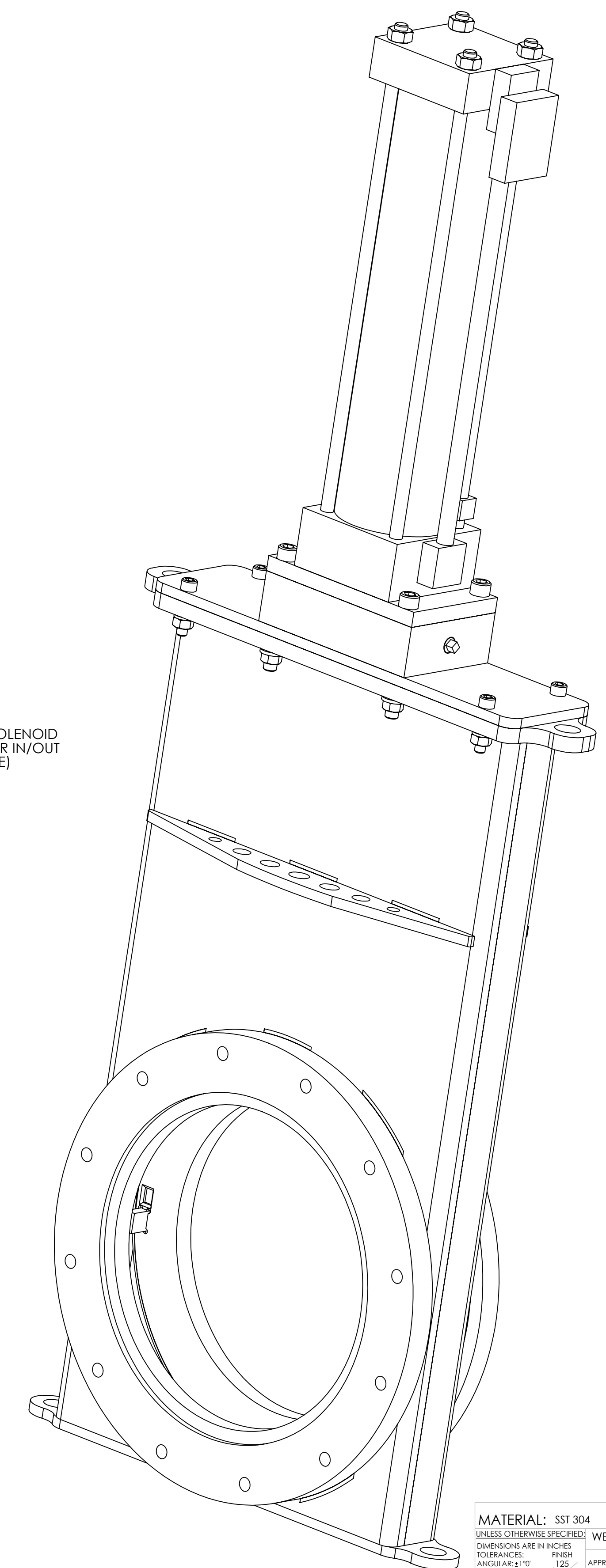
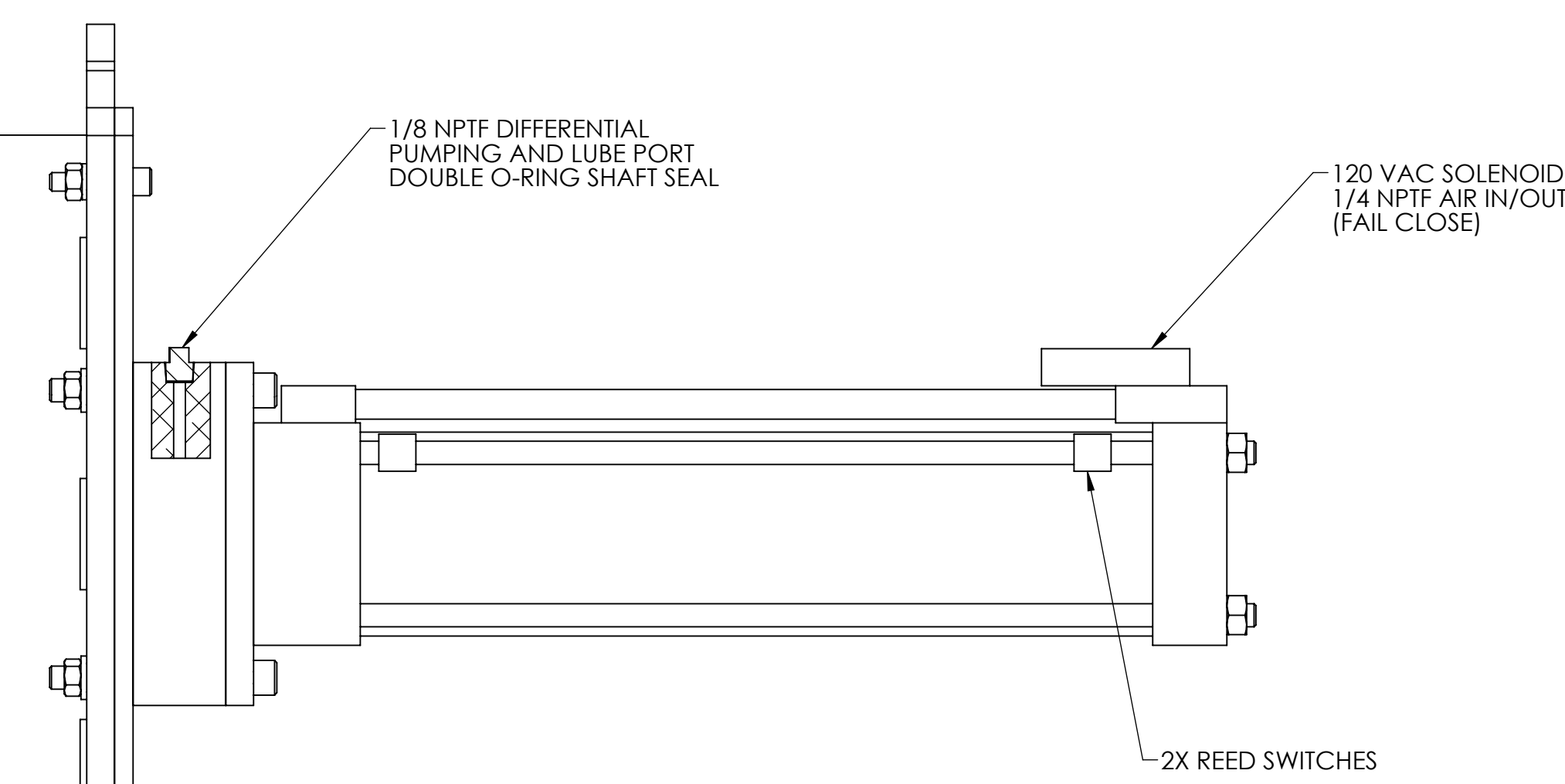
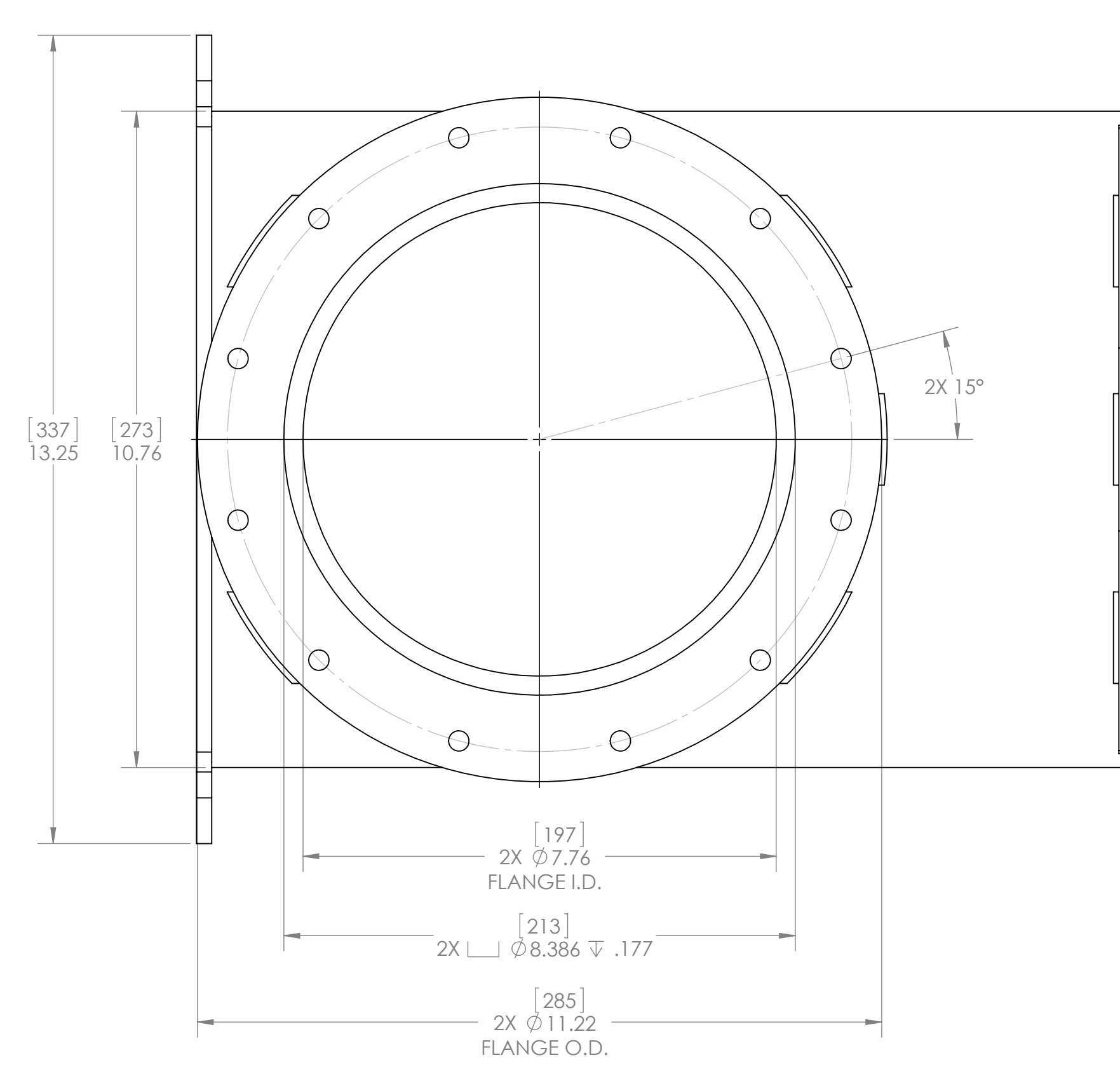
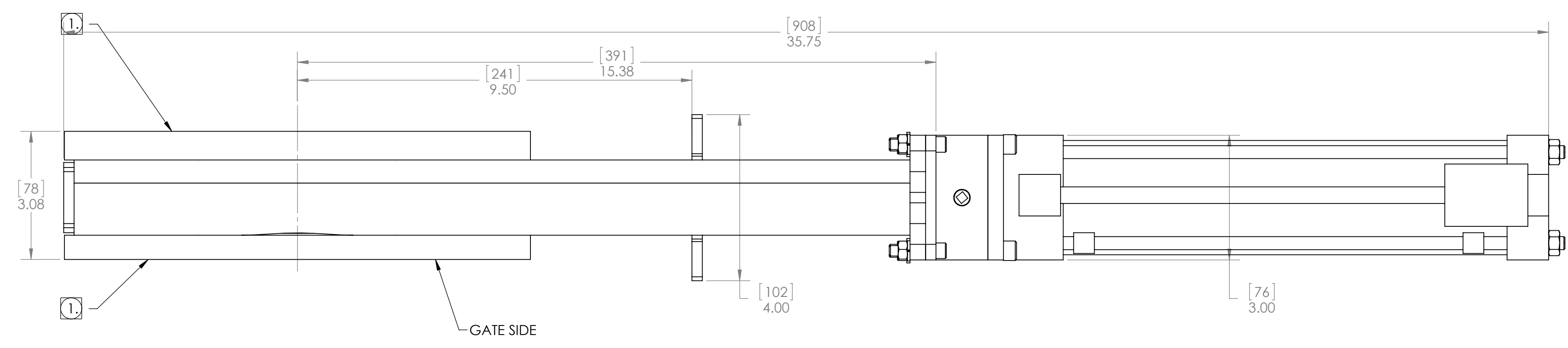


PROPRIETARY AND CONFIDENTIAL  
 THIS DRAWING IS THE PROPERTY OF  
 GNB CORPORATION. ANY REPRODUCTION  
 OR DISSEMINATION OF THIS DRAWING  
 WITHOUT THE WRITTEN PERMISSION OF  
 GNB CORPORATION IS PROHIBITED.

REVISIONS			
REV.	DESCRIPTION	DATE	APPROVED



- NOTES:
- VACUUM SEAL SURFACE
  - GATE O-RING ON GATE
  - VITON O-RINGS

MATERIAL: SST 304  
 UNLESS OTHERWISE SPECIFIED:  
 DIMENSIONS ARE IN INCHES: WEIGHT: 69.21 #  
 TOLERANCES: FINISH 125  
 ANGULAR: ±1°  
 XXX ±.005  
 UNSPECIFIED RADII: R.015  
 BREAK EDGES: .010x45°  
 REMOVE ALL BURRS  
 // ▽ ▽ ▽ WITHIN .050

THIRD ANGLE PROJECTION

APPROVALS	DATE
DRAFTER VR	10/19/12
CHECKER	
ENGINEER VR	10/19/12

**GNB CORPORATION**  
 SCIENTIFIC AND INDUSTRIAL EQUIPMENT  
 3200 DWIGHT RD. SUITE #100  
 ELK GROVE, CA 95758  
 916-395-3003 FAX: 916-395-3363  
 www.gnbvalves.com

**TITLE:** OUTLINE DWG  
**G(ISO200)PSOP**

DO NOT SCALE DRAWING  
 D DWG. NO. 116212-01  
 SCALE: 1:2 SHEET 1 OF 1

REV -