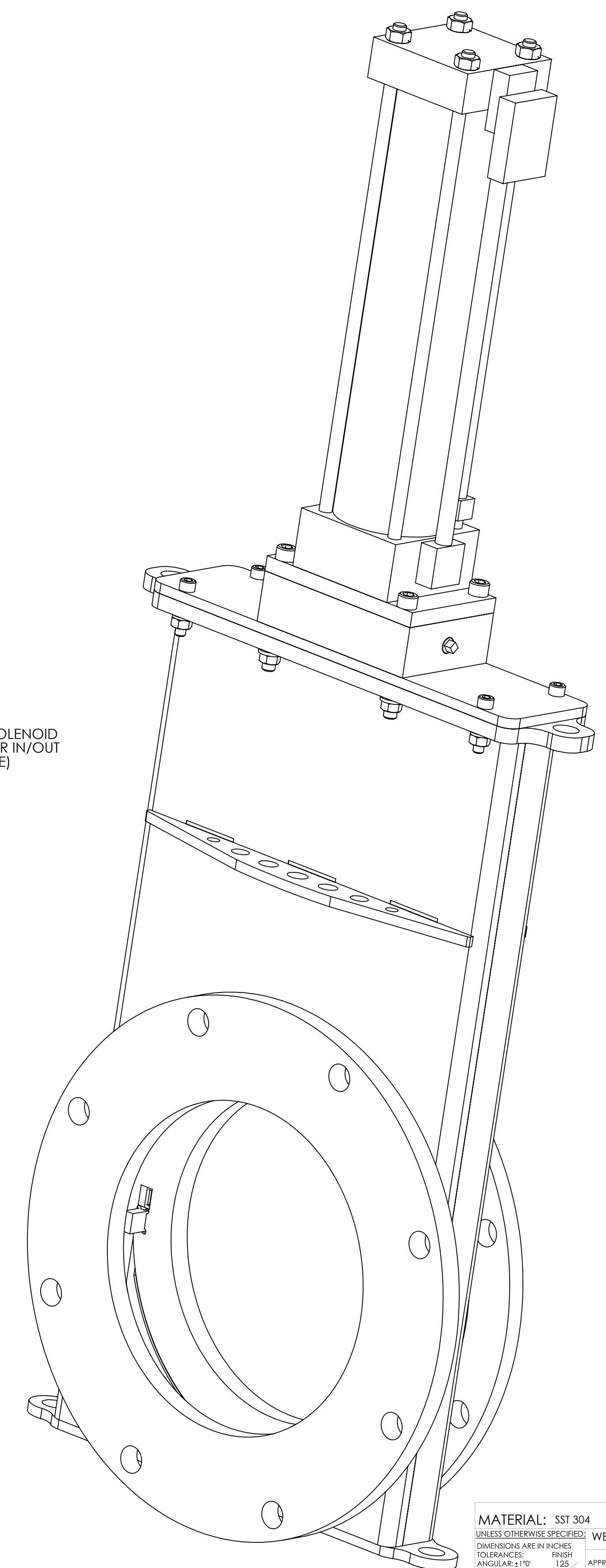
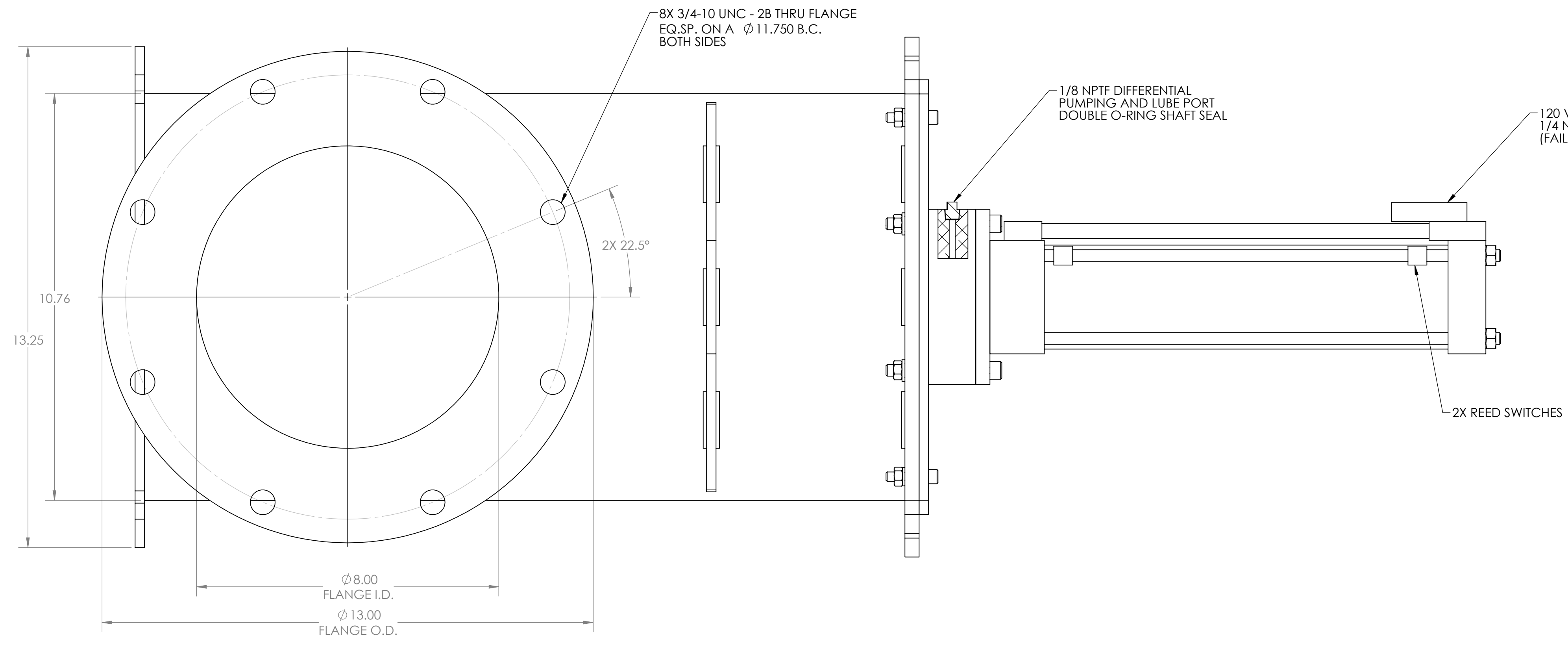
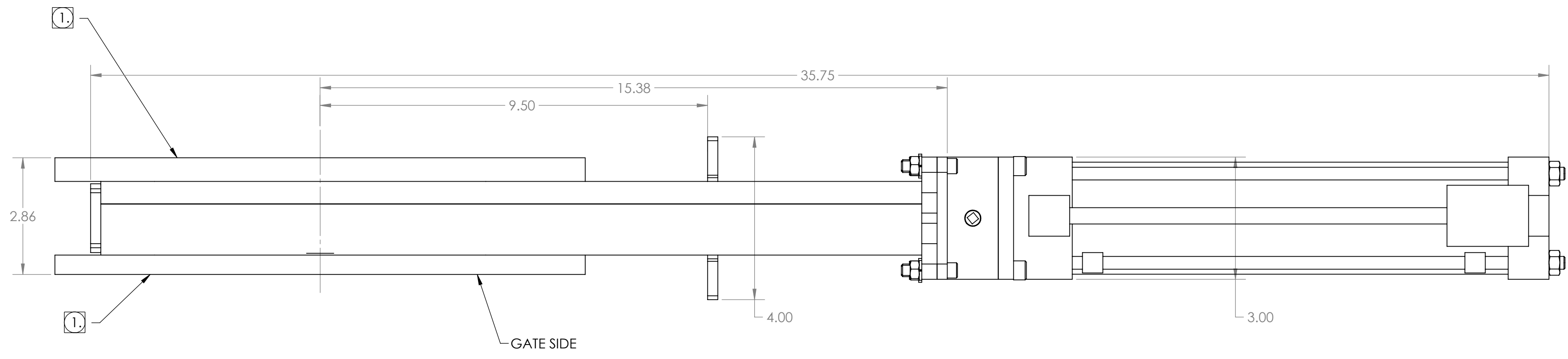


PROPRIETARY AND CONFIDENTIAL
 THIS DRAWING IS THE PROPERTY OF
 GNB CORPORATION. IT IS TO BE USED ONLY FOR THE
 PROJECT AND FOR THE QUANTITY AND RANGE OF
 MATERIALS SPECIFIED THEREON. IT IS NOT TO BE
 REPRODUCED OR COPIED IN ANY MANNER
 WITHOUT THE WRITTEN PERMISSION OF
 GNB CORPORATION.

REVISIONS			
REV.	DESCRIPTION	DATE	APPROVED



- NOTES:
- VACUUM SEAL SURFACE
 - GATE O-RING ON GATE
 - VITON O-RINGS

MATERIAL: SST 304
 UNLESS OTHERWISE SPECIFIED: WEIGHT: 75.67 #
 DIMENSIONS ARE IN INCHES:
 TOLERANCES: FINISH 125
 ANGULAR: ±1°
 XXX ±.005
 UNSPECIFIED RADII: R.015
 BREAK EDGES: .010x45°
 REMOVE ALL BURRS
 // ▽ ⊥ WITHIN .050
 THIRD ANGLE PROJECTION

APPROVALS	DATE
DRAFTER: VR	8/7/12
CHECKER: ER	8/7/12
ENGINEER: VR	8/7/12

TITLE: **OUTLINE DWG**
G8PSOP

DO NOT SCALE DRAWING

DWG. NO. 116212-02	REV -
SCALE: 1:2	SHEET 1 OF 1

GNB CORPORATION
 SCIENTIFIC AND INDUSTRIAL EQUIPMENT
 3200 DWIGHT RD. SUITE #100
 ELK GROVE, CA 95758
 916-395-3003 FAX: 916-395-3363
 www.gnbvalves.com