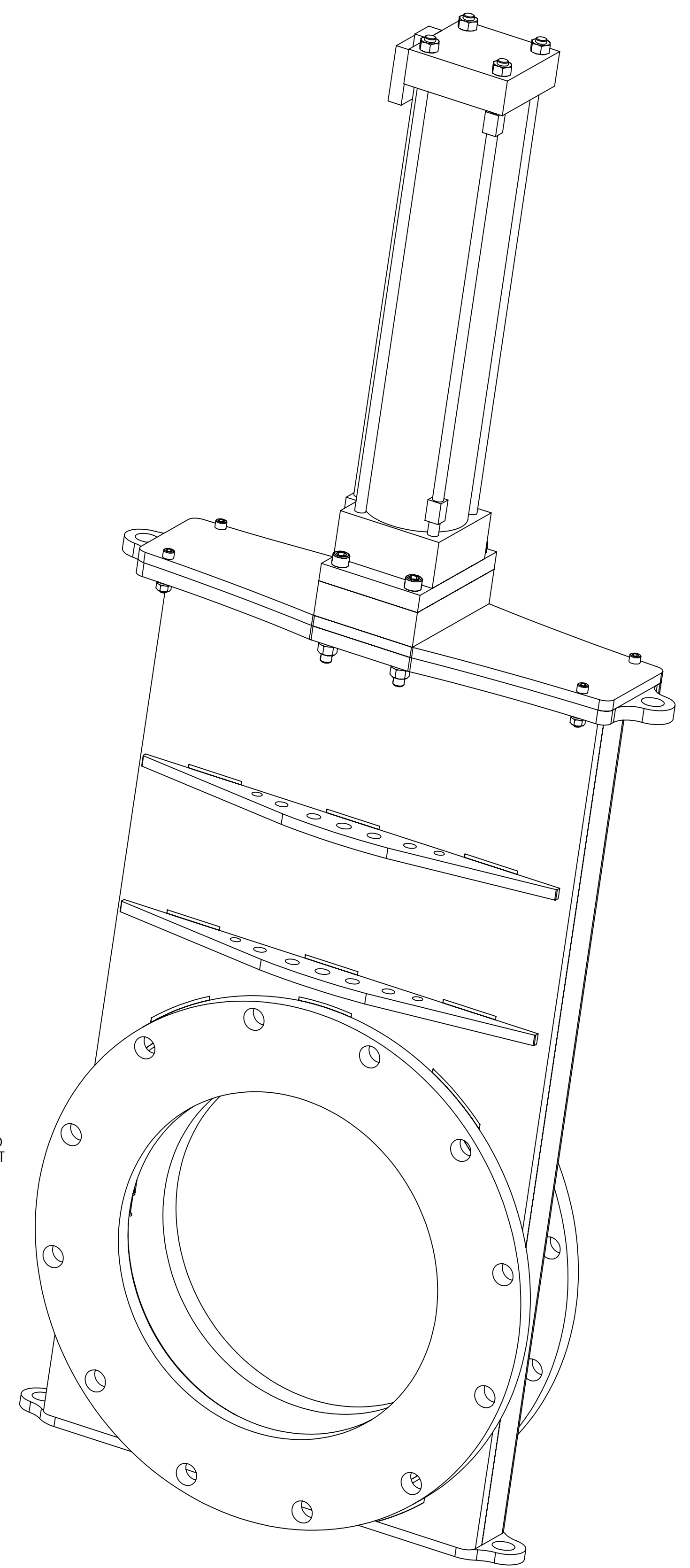
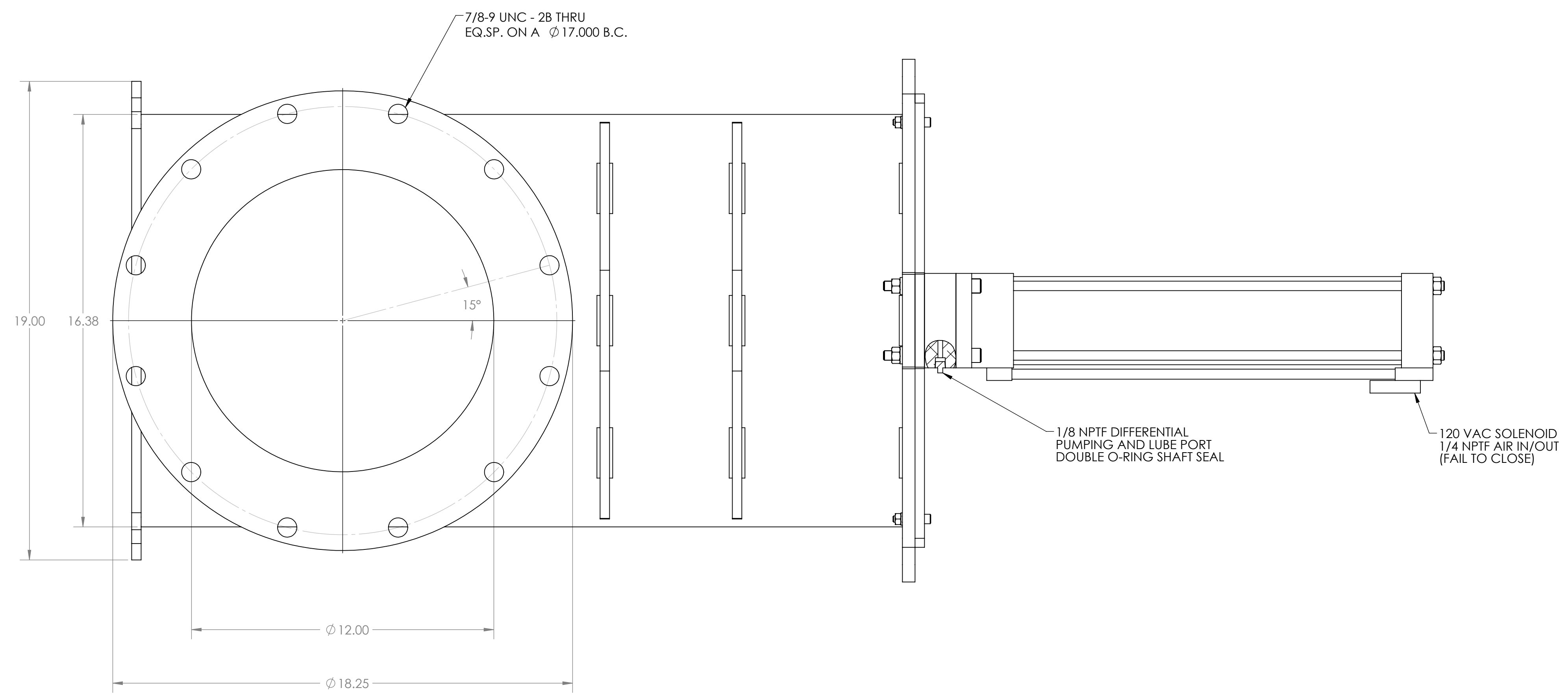
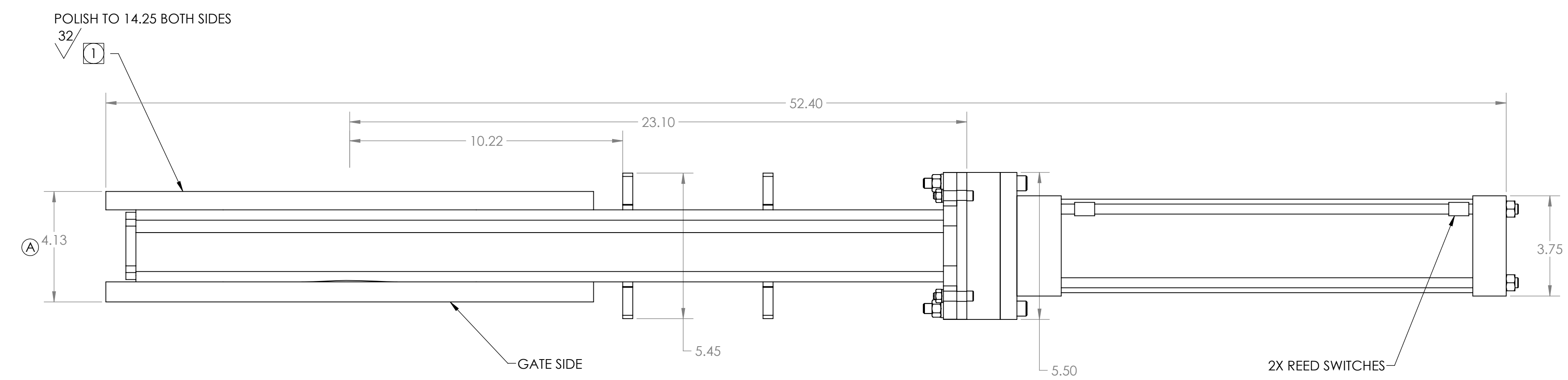


PROPRIETARY AND CONFIDENTIAL  
 THIS DRAWING IS THE PROPERTY OF  
 GNB CORPORATION. ANY REPRODUCTION  
 OR DISSEMINATION OF THIS DRAWING  
 WITHOUT THE WRITTEN PERMISSION OF  
 GNB CORPORATION IS PROHIBITED.

REVISIONS			
REV.	DESCRIPTION	DATE	APPROVED
A	CHANGE TO 4.13	6/13/2012	VR



- NOTES:
- VACUUM SEAL SURFACE
  - FINISH: BEAD BLAST INSIDE & OUT
  - PROTECT ALL SURFACES FROM SCRATCHES, GAUGES & TOOLING MARKS DURING HANDLING.
  - GATE O-RING ON GATE

MATERIAL: SST 304  
 UNLESS OTHERWISE SPECIFIED: WEIGHT: 211.02 #  
 DIMENSIONS ARE IN INCHES

TOLERANCES: FINISH 1/25  
 ANGULAR: ±1°  
 AXIAL: .05  
 XXX ±.005  
 UNSPECIFIED RADII: R.015  
 BREAK EDGES: .010x45°  
 REMOVE ALL BURRS

APPROVALS: DATE: 12/6/11  
 DRAFTER: VR  
 CHECKER: ER 12/21/11  
 ENGINEER: VR 12/6/11

GNB CORPORATION  
 SCIENTIFIC AND INDUSTRIAL EQUIPMENT  
 3200 DWIGHT RD. SUITE #100  
 ELK GROVE, CA 95758  
 916-395-3003 FAX: 916-395-3363  
 www.gnbvalves.com

TITLE: **OUTLINE DWG, G12 PSOP**

DO NOT SCALE DRAWING

D DWG. NO. 116215-02  
 SCALE: 1:3 SHEET 1 OF 1

REV A