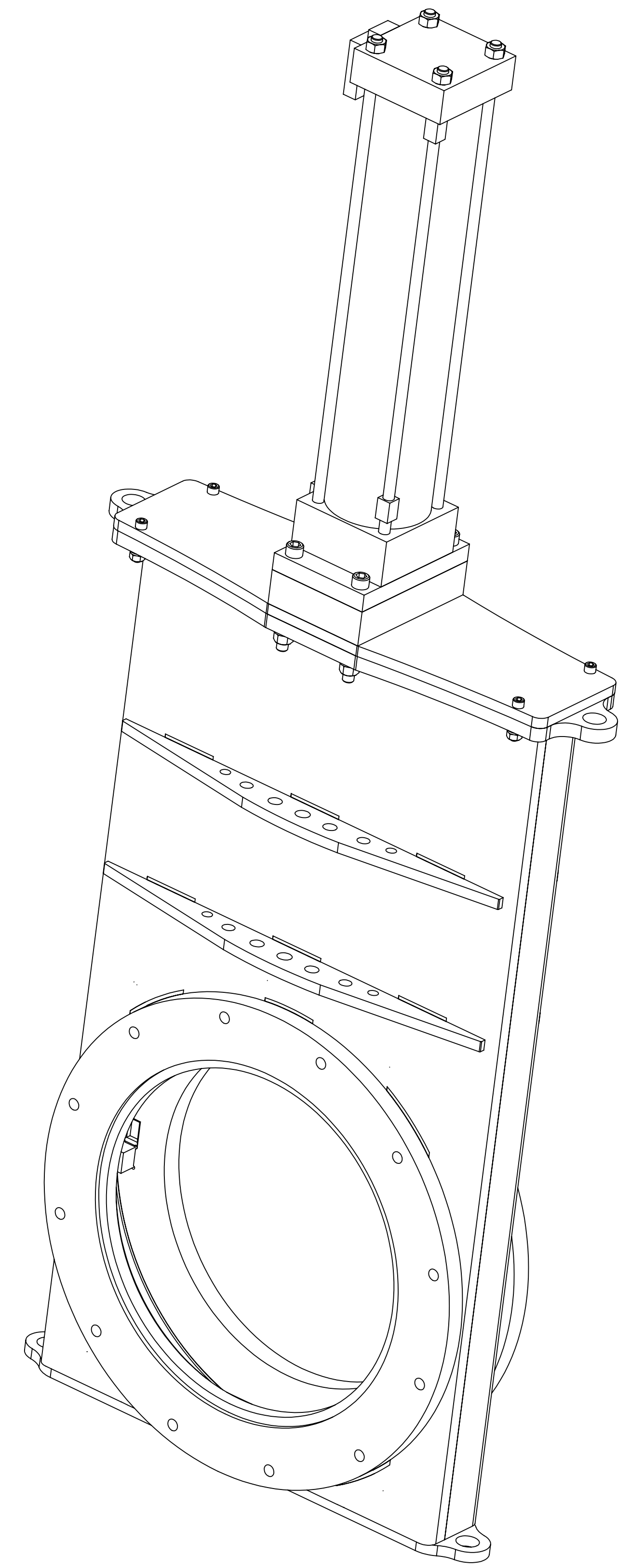
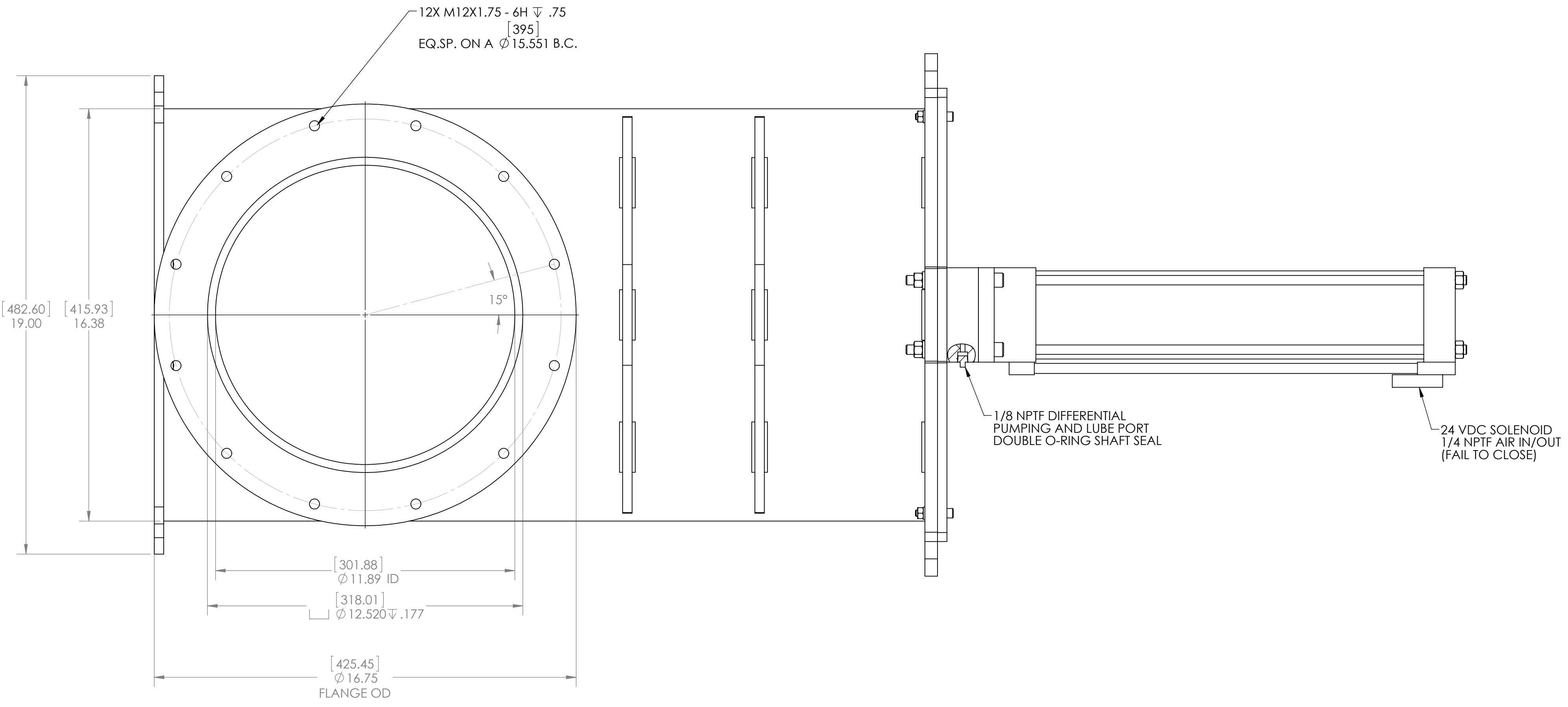
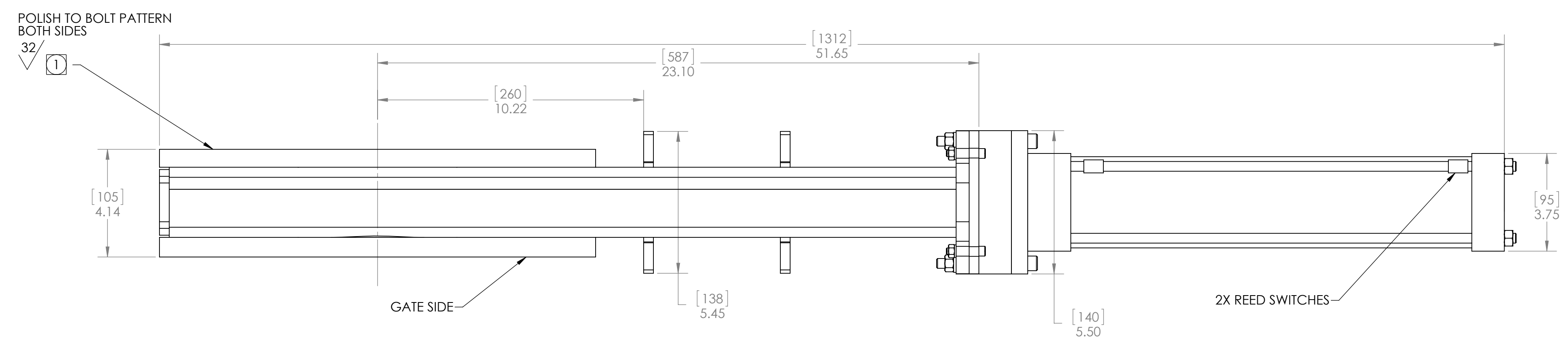


PROPRIETARY AND CONFIDENTIAL
 THIS DRAWING IS THE PROPERTY OF
 GNB CORPORATION. IT IS TO BE USED ONLY FOR THE
 PROJECT AND FOR THE QUANTITY AND RANGE OF
 MATERIALS SPECIFIED. IT IS TO BE KEPT
 WITHOUT THE WRITTEN PERMISSION OF
 GNB CORPORATION.

REVISIONS			
REV.	DESCRIPTION	DATE	APPROVED



- NOTES:
- VACUUM SEAL SURFACE
 - FINISH: BEAD BLAST INSIDE & OUT
 - PROTECT ALL SURFACES FROM SCRATCHES, GAUGES & TOOLING MARKS DURING HANDLING.
 - GATE O-RING ON GATE

MATERIAL: SST 304
 UNLESS OTHERWISE SPECIFIED: WEIGHT: 195.15 #
 DIMENSIONS ARE IN INCHES: FINISH: 125
 TOLERANCES: ANGULAR: ±1°
 XXX ±.005
 UNSPECIFIED RADII: R.015
 BREAK EDGES: .010x45°
 REMOVE ALL BURRS
 // ▽ ⊥ WITHIN .050

THIRD ANGLE PROJECTION

APPROVALS	DATE
DRAFTER: VR	10/12/12
CHECKER: ER	10/12/12
ENGINEER: VR	10/12/12

GNB CORPORATION
 SCIENTIFIC AND INDUSTRIAL EQUIPMENT
 3200 DWIGHT RD. SUITE #100
 ELK GROVE, CA 95758
 916-395-3003 FAX: 916-395-3363
 www.gnbvalves.com

TITLE: **OUTLINE DWG, ISO320 PSOP**

DO NOT SCALE DRAWING

D DWG. NO. 116215-04
 SCALE: 1:3 SHEET 1 OF 1

REV: -