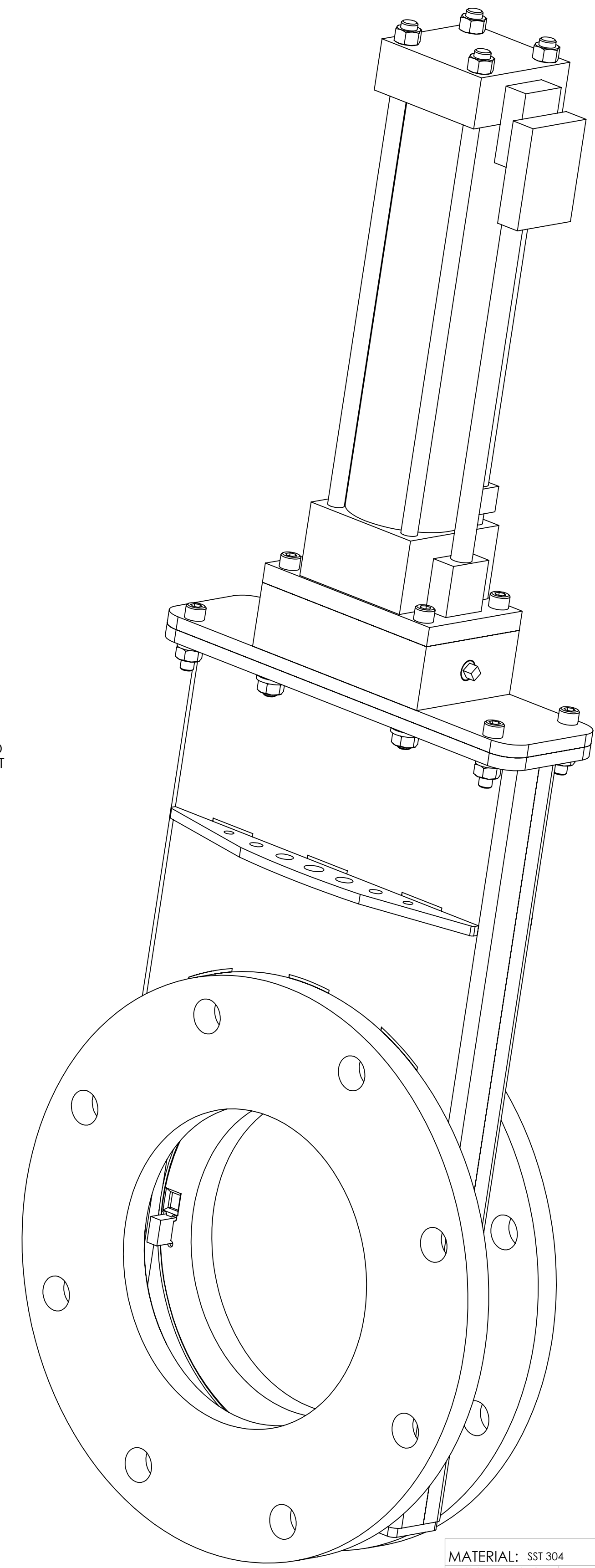
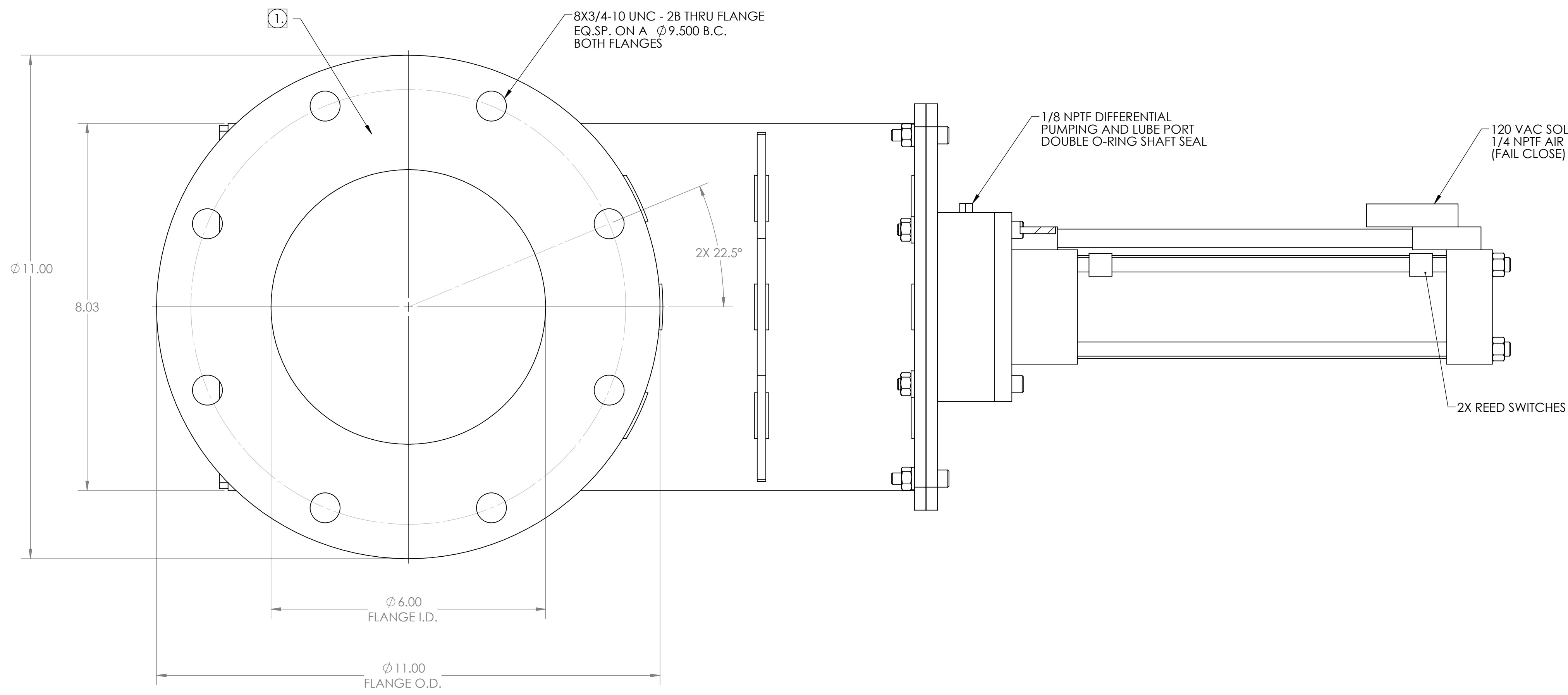
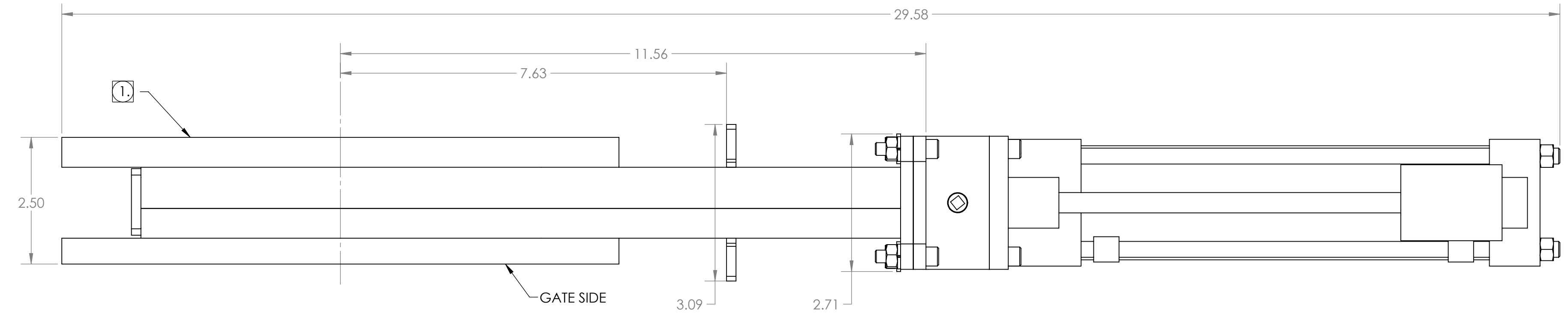


PROPRIETARY AND CONFIDENTIAL
 THIS DRAWING IS THE PROPERTY OF
 GNB CORPORATION. ANY REPRODUCTION
 OR DISSEMINATION OF THIS DRAWING
 WITHOUT THE WRITTEN PERMISSION OF
 GNB CORPORATION IS PROHIBITED.

REVISIONS			
REV.	DESCRIPTION	DATE	APPROVED



- NOTES:
- VACUUM SEAL SURFACE
 - GATE O-RING ON GATE
 - VITON O-RINGS
 - FINISH: BEAD BLAST EXTERIOR

MATERIAL: SST 304
UNLESS OTHERWISE SPECIFIED: WEIGHT: 46.91 #
 DIMENSIONS ARE IN INCHES
 TOLERANCES: FINISH 1/25
 ANGULAR: ±1°
 XXX ±.005
 UNFINISHED RADII: R.015
 BREAK EDGES: .010x45°
 REMOVE ALL BURRS
 WITHIN .050

THIRD ANGLE PROJECTION

APPROVALS	DATE
DRAFTER: VR	10/4/12
CHECKER: ER	10/4/12
ENGINEER: VR	10/4/12

GNB CORPORATION
 SCIENTIFIC AND INDUSTRIAL EQUIPMENT
 3200 DWIGHT RD. SUITE #100
 ELK GROVE, CA 95758
 916-395-3003 FAX: 916-395-3363
 www.gnbvalves.com

TITLE: OUTLINE DWG
 G6PSOP

DO NOT SCALE DRAWING

D PWG. NO. 117178-01
 SCALE: 1:1.625 SHEET 1 OF 1

REV