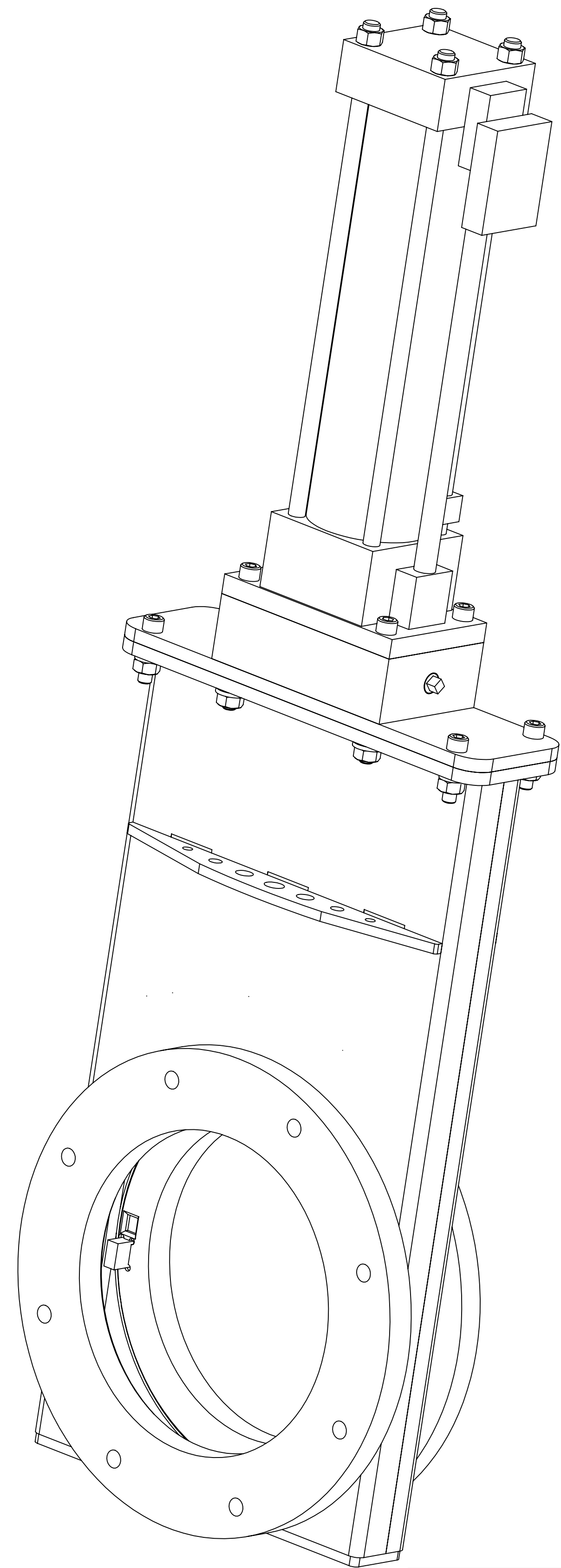
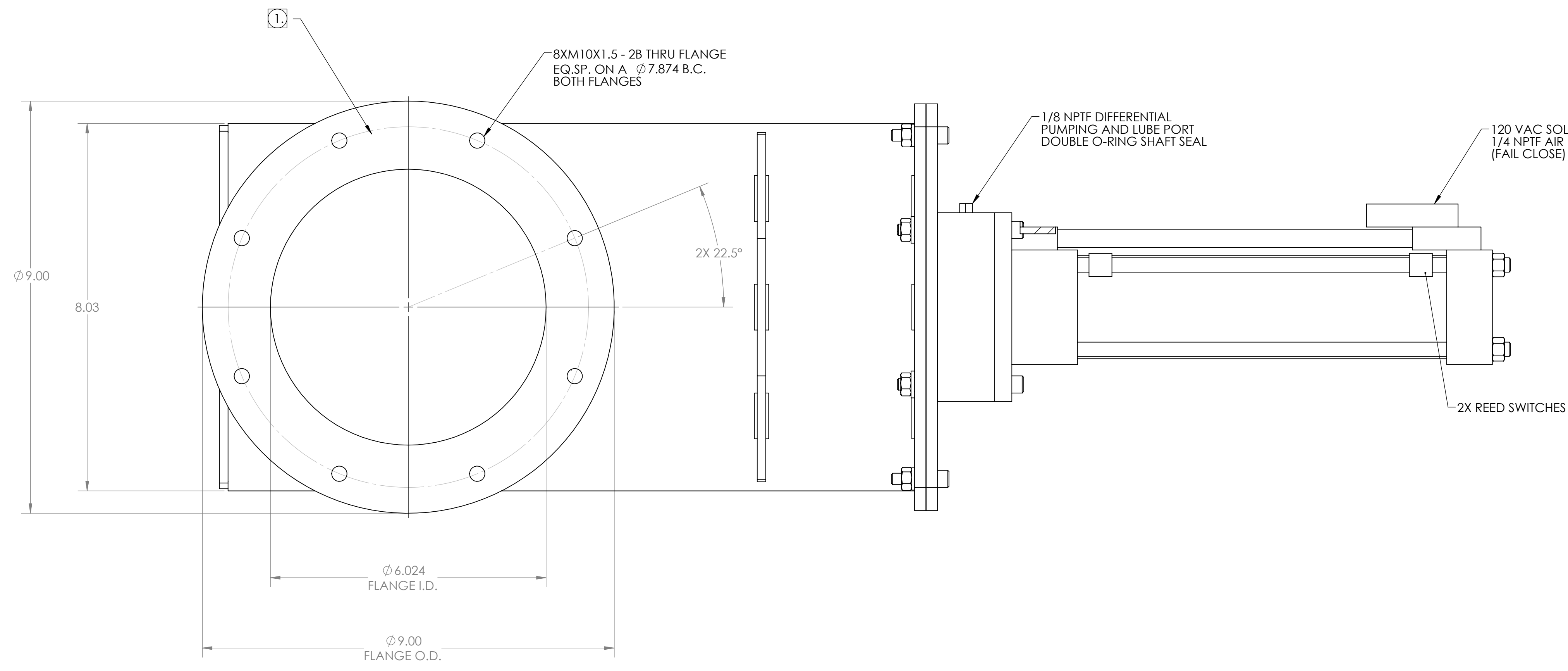
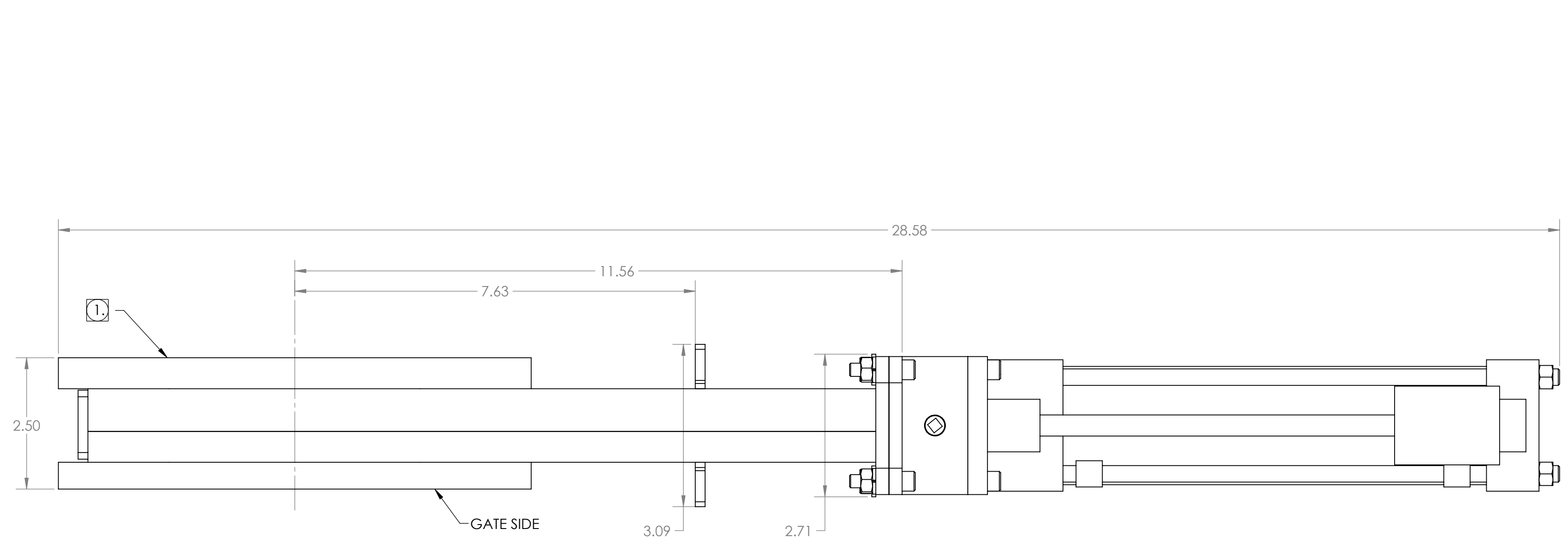


PROPRIETARY AND CONFIDENTIAL
 THIS DRAWING IS THE PROPERTY OF
 GNB CORPORATION. IT IS TO BE USED ONLY FOR THE
 PROJECT AND FOR THE QUANTITY AND PURPOSE
 SPECIFIED. IT IS NOT TO BE REPRODUCED OR
 COPIED IN ANY MANNER WITHOUT THE WRITTEN PERMISSION OF
 GNB CORPORATION.

REVISIONS			
REV.	DESCRIPTION	DATE	APPROVED



- NOTES:
- 1 VACUUM SEAL SURFACE
 - 2 GATE O-RING ON GATE
 - 3 VITON O-RINGS
 - 4 FINISH: BEAD BLAST EXTERIOR

MATERIAL: SST 304
 UNLESS OTHERWISE SPECIFIED:
 DIMENSIONS ARE IN INCHES
 TOLERANCES: FINISH 1/25
 ANGULAR ±1°
 XXX ±.005
 UNSPECIFIED RADII: R.015
 BREAK EDGES: .010x45°
 REMOVE ALL BURRS
 WITHIN .050

WEIGHT: 37.48 #

APPROVALS	DATE
DRAFTER: VR	10/4/12
CHECKER: ER	10/4/12
ENGINEER: VR	10/4/12

GNB CORPORATION
 SCIENTIFIC AND INDUSTRIAL EQUIPMENT
 3200 DWIGHT RD. SUITE #100
 ELK GROVE, CA 95758
 916-395-3003 FAX: 916-395-3363
 www.gnbvalves.com

TITLE: **OUTLINE DWG G(ISO 160)PSOP**

DO NOT SCALE DRAWING

DWG. NO. 117178-02
 SCALE: 1:1.625 SHEET 1 OF 1

REV: -