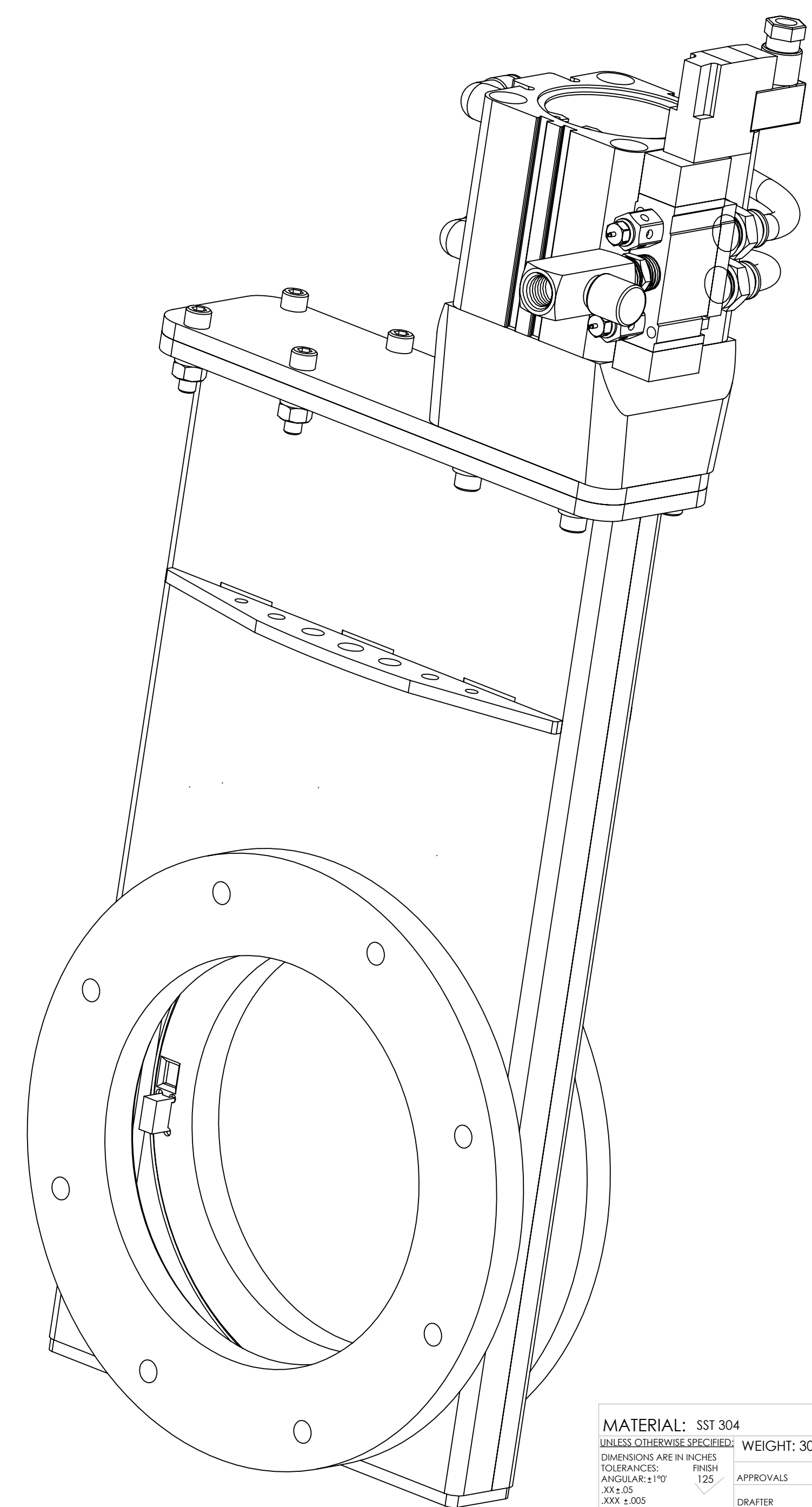
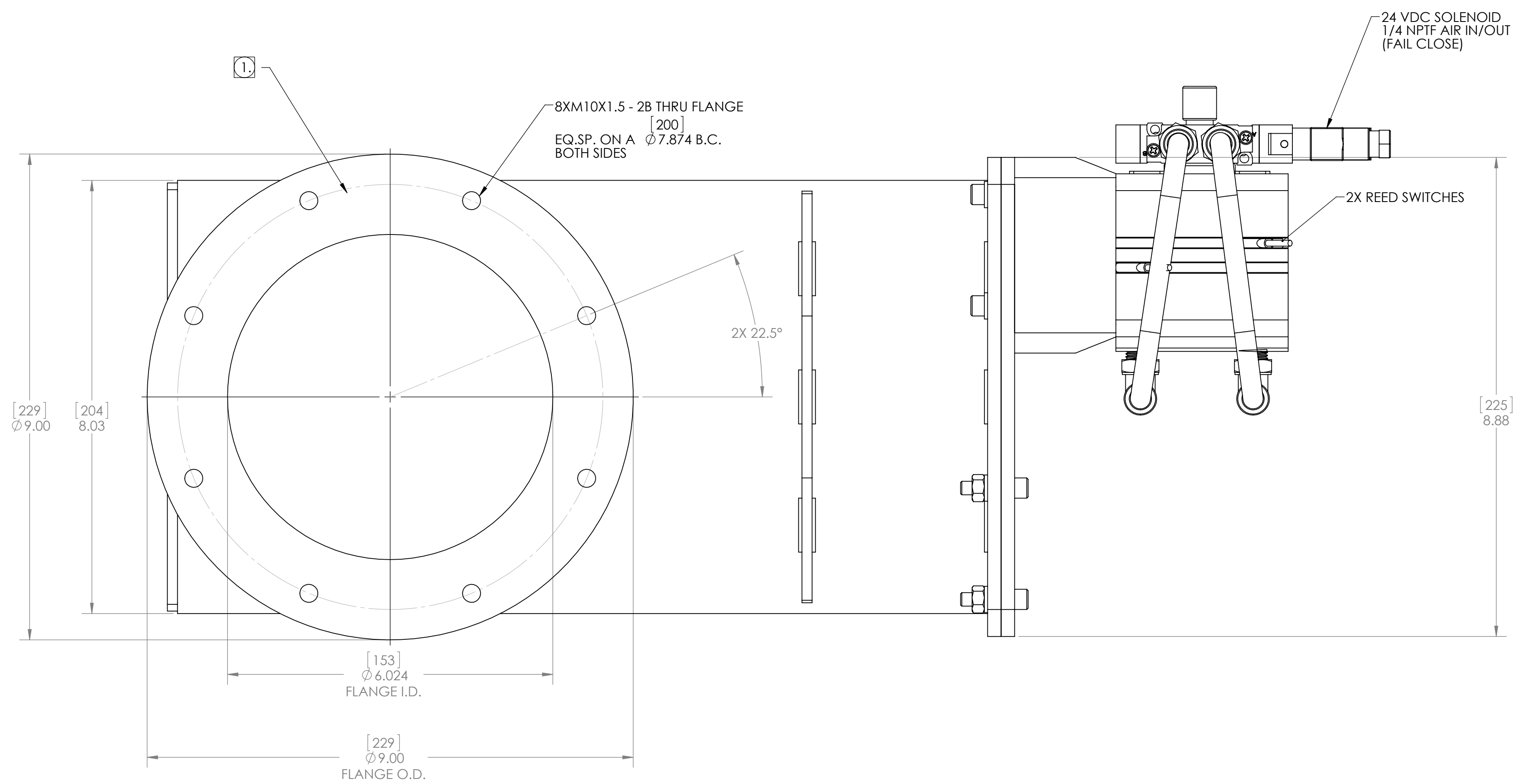
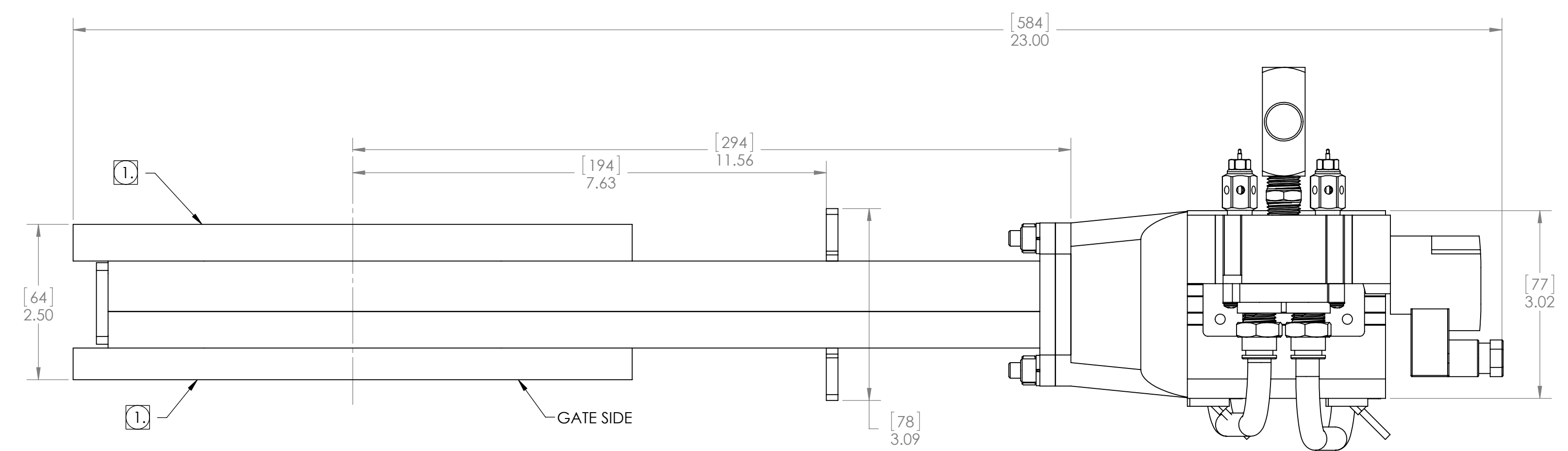


PROPRIETARY AND CONFIDENTIAL
 THIS DRAWING IS THE PROPERTY OF
 GNB CORPORATION. ANY REPRODUCTION
 OR DISSEMINATION OF THIS DRAWING
 WITHOUT THE WRITTEN PERMISSION OF
 GNB CORPORATION IS PROHIBITED.

REVISIONS			
REV.	DESCRIPTION	DATE	APPROVED



- NOTES:
- VACUUM SEAL SURFACE
 - FINISH: BEAD BLAST INSIDE & OUT
 - PROTECT ALL SURFACES FROM SCRATCHES, GOUGES & TOOLING MARKS DURING HANDLING.
 - GATE O-RING ON GATE

MATERIAL: SST 304
 UNLESS OTHERWISE SPECIFIED
 DIMENSIONS ARE IN INCHES WEIGHT: 30.94 #

TOLERANCES: FINISH 125
 ANGULAR ±1°
 XXX ±.005
 UNSPECIFIED RADII: R.015
 BREAK EDGES: .010x45°
 REMOVE ALL BURRS

APPROVALS DATE
 DRAFTER VR 4/19/13
 CHECKER ER 4/25/13
 ENGINEER VR 4/19/13

GNB CORPORATION
 SCIENTIFIC AND INDUSTRIAL EQUIPMENT
 3200 DWIGHT RD. SUITE #100
 ELK GROVE, CA 95758
 916-395-3003 FAX: 916-395-3363
 www.gnbvalves.com

TITLE: OUTLINE DWG
 K(ISO 160)PSBP

DO NOT SCALE DRAWING D DWG. NO. 117178-15 REV -
 SCALE: 1:1.5 SHEET 1 OF 1