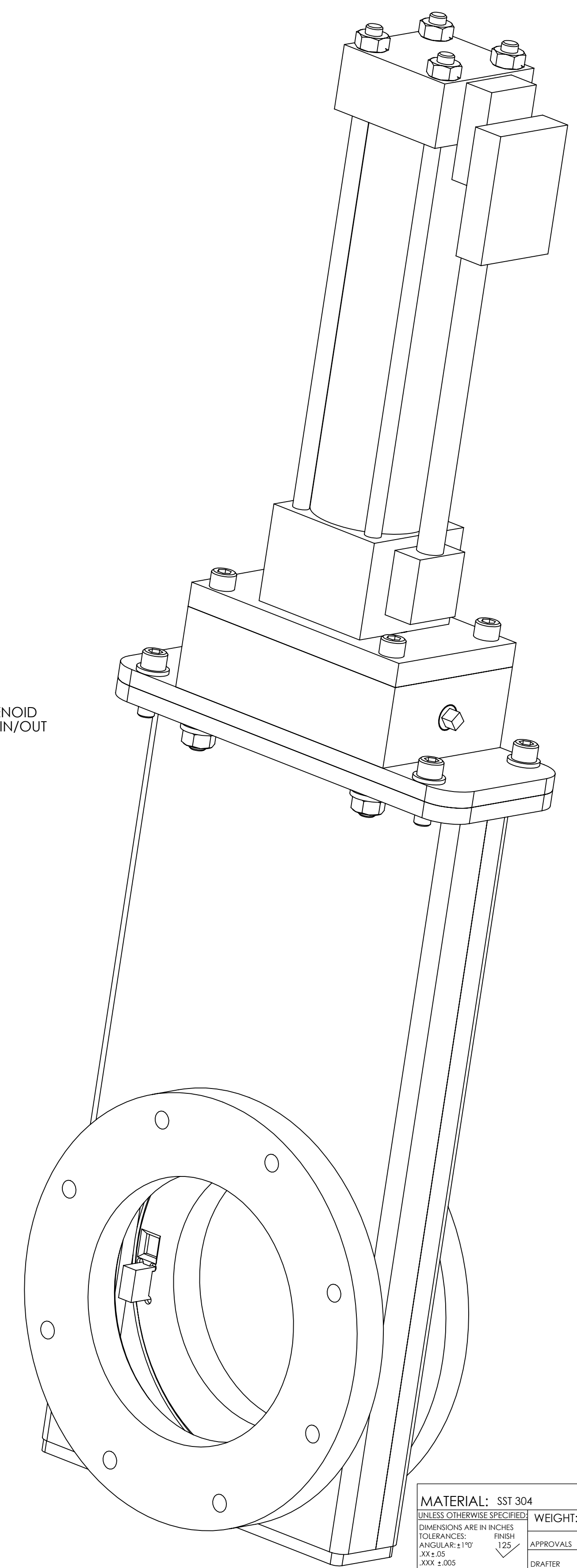
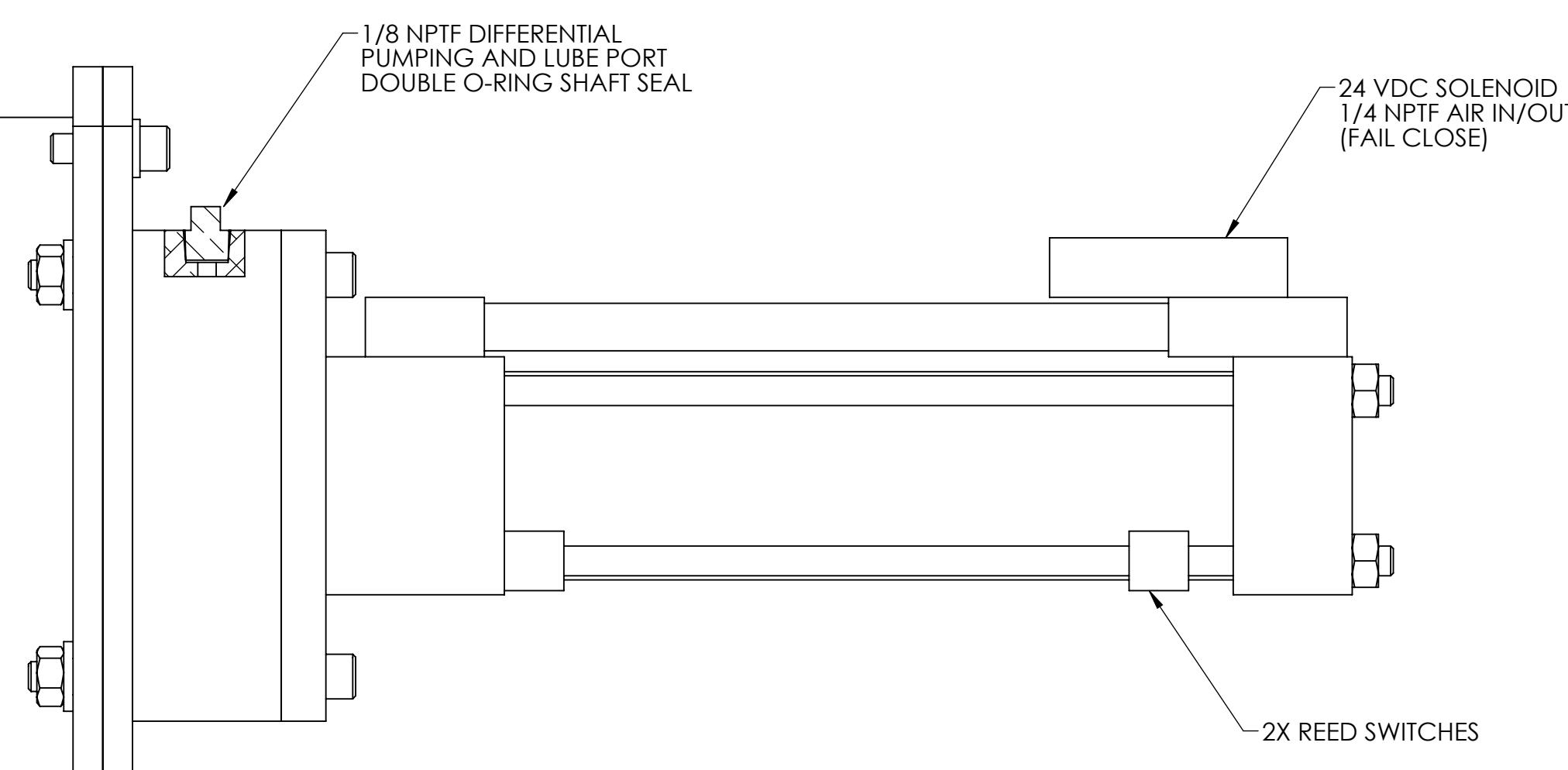
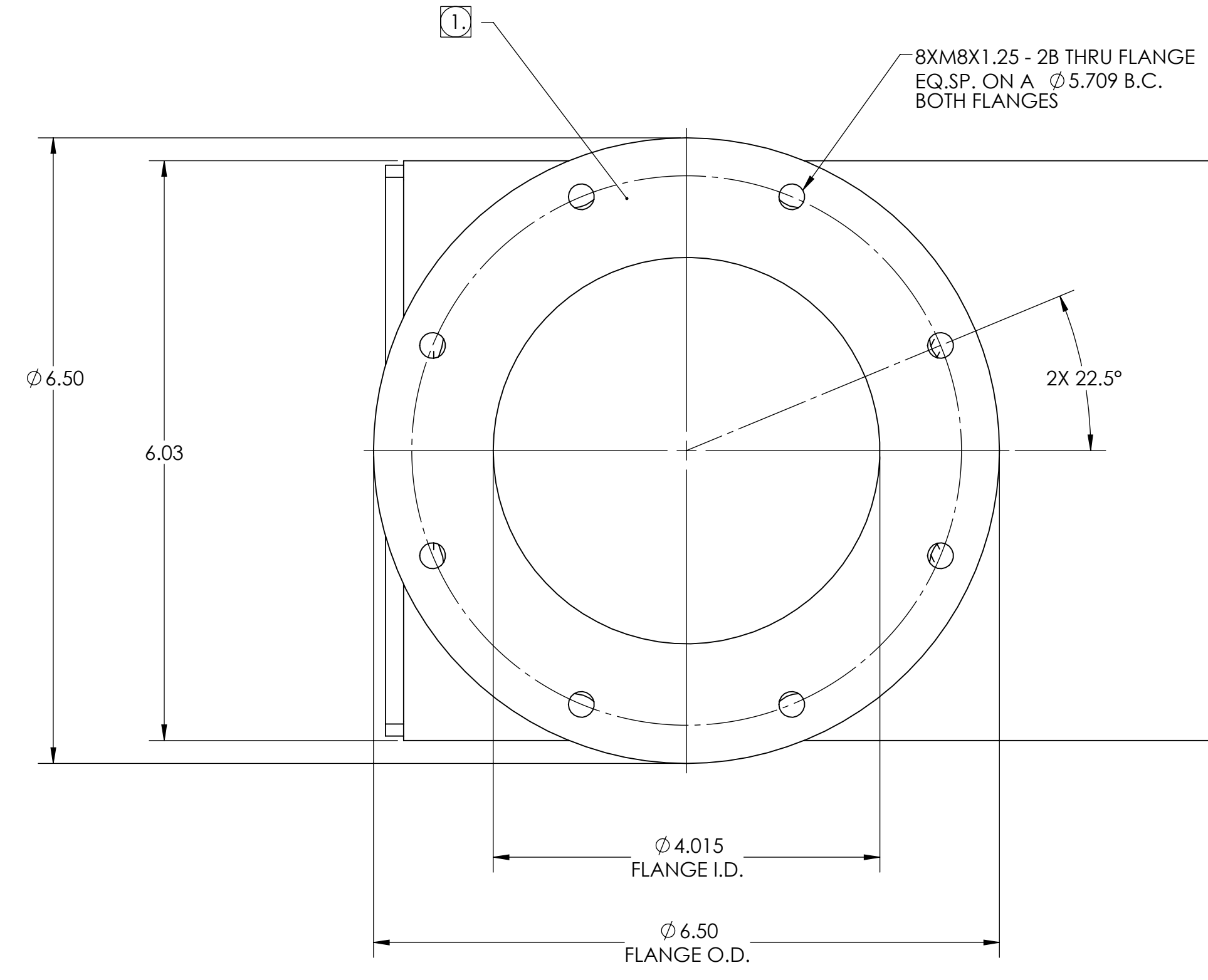
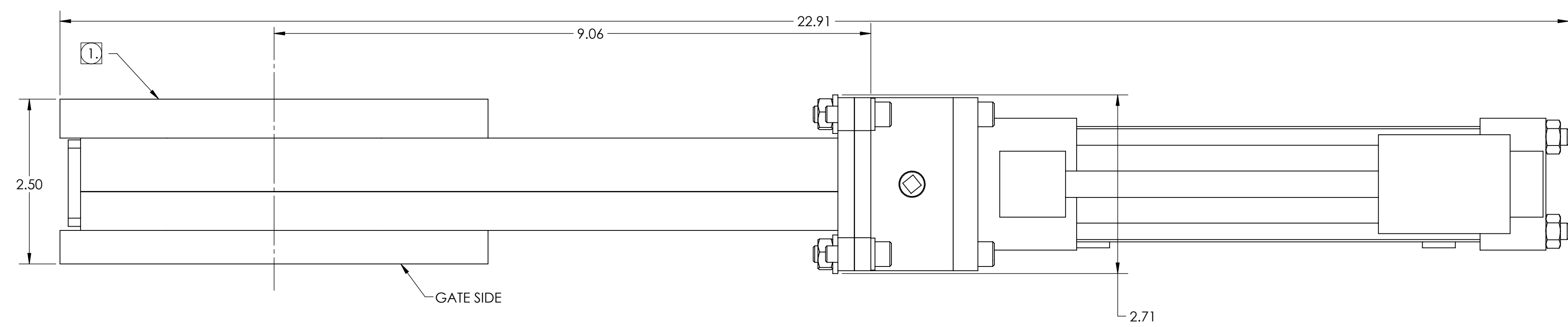


PROPRIETARY AND CONFIDENTIAL
 THIS DRAWING IS THE PROPERTY OF
 GNB CORPORATION AND IS NOT TO BE
 REPRODUCED OR TRANSMITTED IN ANY
 FORM OR BY ANY MEANS WITHOUT THE
 WRITTEN PERMISSION OF
 GNB CORPORATION.

REVISIONS			
REV.	DESCRIPTION	DATE	APPROVED



- NOTES:
- VACUUM SEAL SURFACE
 - GATE O-RING ON GATE
 - VITON O-RINGS
 - FINISH: BEAD BLAST EXTERIOR

MATERIAL: SST 304
 UNLESS OTHERWISE SPECIFIED
 DIMENSIONS ARE IN INCHES
 TOLERANCES: FINISH 1/25
 ANGULAR ±1°
 XXX ±.005
 UNSPECIFIED RADII: R.015
 BREAK EDGES: 0.10x45°
 REMOVE ALL BURRS
 WITHIN .050

WEIGHT: 18.63 #

APPROVALS	DATE
DRAFTER VR	3/4/13
CHECKER ER	3/4/13
ENGINEER VR	3/4/13

GNB CORPORATION
 SCIENTIFIC AND INDUSTRIAL EQUIPMENT
 3200 DWIGHT RD. SUITE #100
 ELK GROVE, CA 95758
 916-395-3003 FAX: 916-395-3363
 www.gnbvalves.com

TITLE: OUTLINE DWG
 G(ISO 100)PSOP

DO NOT SCALE DRAWING

DWG. NO. 118306-01
 SCALE: 1:1.25 SHEET 1 OF 1

REV -