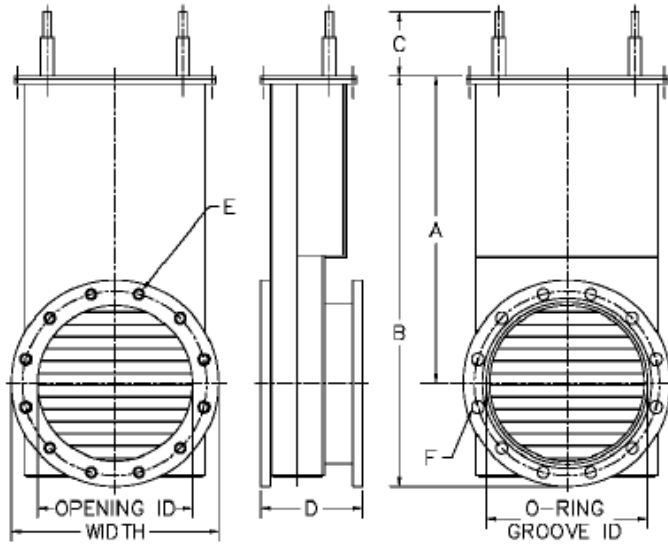


Liquid Nitrogen Traps



Cryo
Products

Model	Flange Dimension-Inches[mm]						LNT Dimensions-Inches[mm]				Reservoir	Approx
	Opening ID	Width	O-Ring Groove ID x C/S	Bolt Circle	Hole Size E	Hole Size F	A	B	C	D	Volume Liters	WT(lb)
LNT-ASA3T-SC	3.00 [76.2]	7.50 [190.5]	3.50 [88.9] x1/8	4.75 [120.7]	(4) 5/8-11	(4) .656 [16.7] Slots	16.13 [409.7]	19.88 [505.0]	6.00 [152.4]	5.75 [146.0]	4.94	60
LNT-ASA4T-SC	4.00 [101.6]	9.00 [228.6]	5.25 [133.4] x1/4	7.50 [190.5]	(8) 5/8-11	(8) .75 [19.1] Slots	12.13 [308.1]	16.63 [422.4]	5.00 [127.0]	4.20 [106.7]	2.65	60
LNT-ASA8T-SC	8.00 [203.2]	13.50 [324.9]	8.50 [215.9] x1/4	11.75 [298.5]	(8) 3/4-10	(8) .781 [19.8] Thru	16.31 [414.3]	23.06 [585.8]	5.00 [127.0]	7.88 [200.0]	5.71	80
LNT-ASA10T-SC	10.00 [254.0]	16.00 [406.4]	12.50 [317.5] x1/4	14.25 [362.0]	(12) 7/8-9	(12) .906 [23.0] Thru	23.75 [603.2]	31.75 [806.4]	5.00 [127.0]	7.88 [200.0]	9.86	120
LNT-ASA12T-SC	12.00 [304.8]	19.00 [482.6]	13.25 [336.6] x1/4	17.00 [431.8]	(12) 7/8-9	(12) .906 [23.0] Thru	23.75 [603.2]	33.25 [844.5]	5.00 [127.0]	7.88 [200.0]	9.86	120
LNT-ASA16T-SC	16.00 [406.4]	23.50 [596.9]	16.56 [427.7] x1/4	21.25 [539.8]	(16) 1-8	(16) 1.03 [26.2] Thru	30.00 [762.0]	41.75 [1060.5]	7.06 [179.4]	8.41 [213.5]	17.70	180
LNT-ASA20T-SC	20.00 [508.0]	27.50 [698.5]	20.56 [522.2] x3/8	25.00 [635.0]	(20) 1.1257	(20) 1.25 [31.8] Thru	28.00 [711.2]	41.75 [1060.5]	7.00 [177.8]	11.00 [279.4]	28.70	385
LNT-ASA35T-SC	35.00 [889.0]	41.75 [1060.5]	35.50 [901.7] x3/8	38.50 [977.9]	(28) 3/4-10	(28) 88 [22.4] Thru	46.31 [1176.3]	67.19 [1706.5]	7.00 [177.8]	12.00 [304.8]	59.00	1300