

Ordering Information

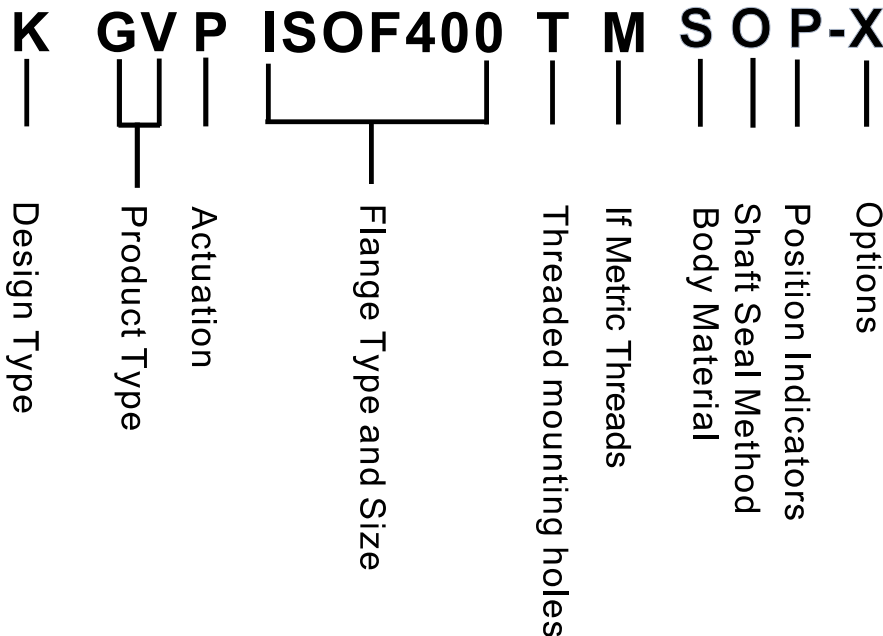
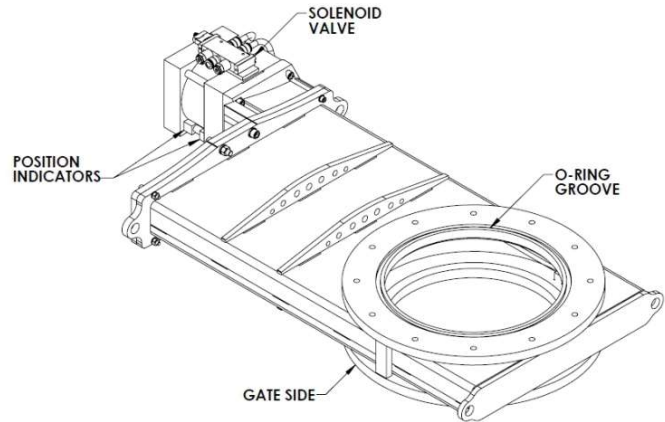
The example shown is a standard GNB Corporation gate valve with:

- Space Saver style gate valve
- .16 inch aperture clearance
- Electro pneumatic actuation
- 304 stainless steel composition
- O-ring shaft seal

It has the following options:

- Position indicator
- O-ring groove in the second flange

When ordering this valve, the GNB model number becomes the following:



Options

- Roughing port
- Water cooled gate
- Water cooled body
- Water cooled flange
- Bodiless
- Clean out ports
- Second o-ring groove
- Flange: ASA, ISO, CF, KF, or Custom Design

Design Type

K	Space Saver
HDG	Heavy Duty Gate
P	Pendulum
PMG	Protective Metal Guard Ring
R	Roughing
T	Throttling

Product Type

AV	Angle
GV	Gate Valve
FV	Flapper Valve
SV	Slit Valve

Actuation

C	Rotary Pneumatic
E	Electric
H	Hydraulic
ML	Manual Level
P	Pneumatic
W	Hand wheel

Material

A	Aluminum
M	Mild steel
S	304L Stainless Steel

Shaft Seal

B	Bellows
O	O-ring

A complete written description of any options required on all purchase orders.